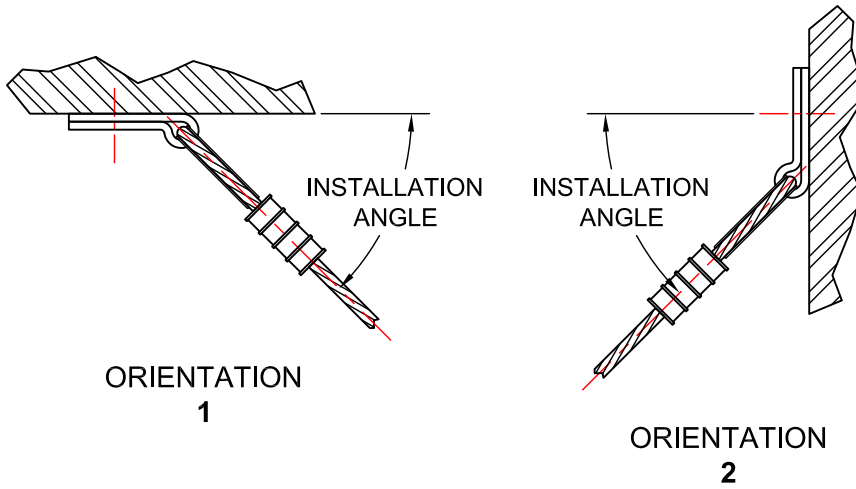
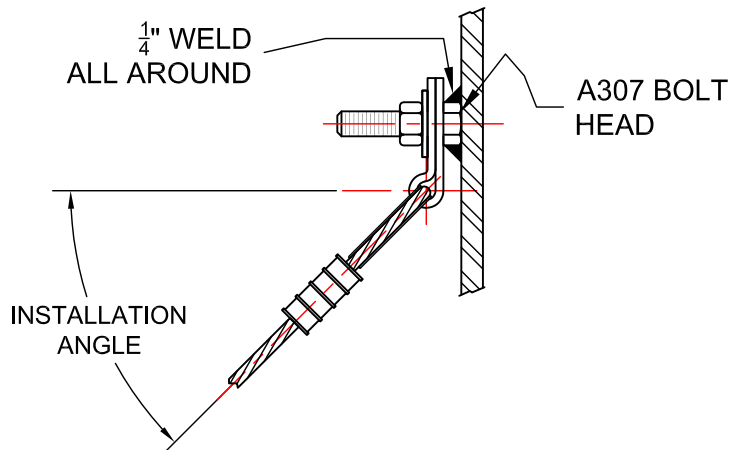
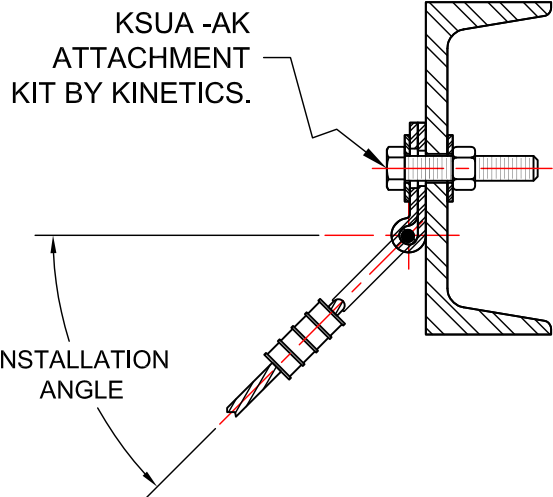
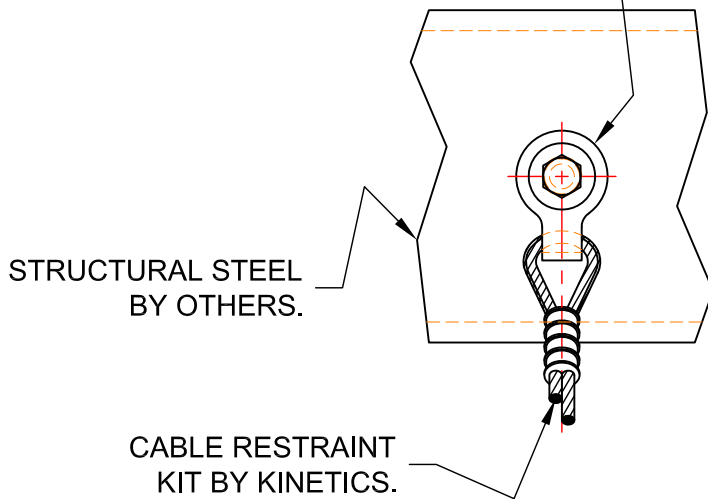


# STEEL ATTACHMENT DETAIL

NOTE:  
FOR CABLE RESTRAINT AND ATTACHMENT HARDWARE  
CAPACITIES SEE DRAWING S-90.405-2C.



KSUA CABLE ATTACHMENT  
BRACKET BY KINETICS.



THIS COMPONENT IS SUITABLE FOR SEIMIC APPLICATIONS SUBJECT TO THE QUALIFICATIONS INDICATED ON THIS DRAWING.