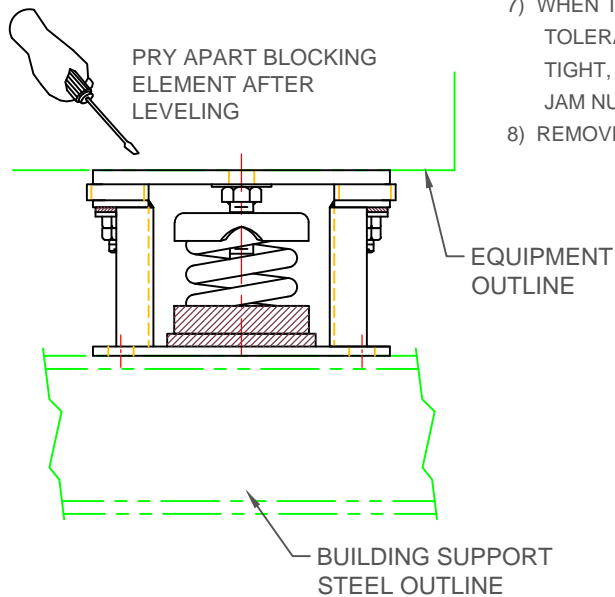
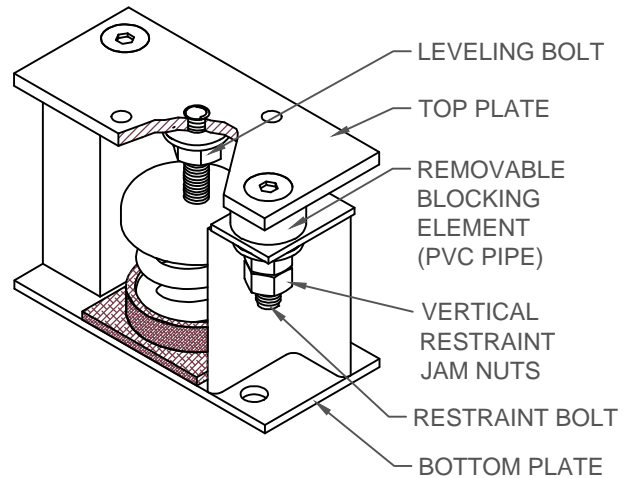


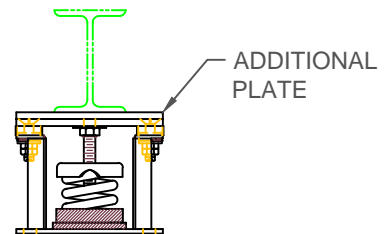
MODEL FLS, FLSS & FTS INSTALLATION INSTRUCTIONS

NOTE: KINETICS NOISE CONTROL SUGGESTS THAT MODELS FLS, FLSS & FTS ISOLATORS BE ON THE JOBSITE PRIOR TO THE ARRIVAL OF THE EQUIPMENT.

- 1) LOCATE EACH ISOLATOR IN TO POSITION BASED ON SUBMITTAL DRAWING USING COLOR CODED SPRINGS AS IDENTIFICATION.
- 2) PLACE THE ISOLATORS IN THEIR PROPER LOCATION AND ATTACH THE BOTTOM PLATE TO THE BUILDING SUPPORT STEEL.
- 3) SET THE EQUIPMENT FOOT, BRACKET OR SUPPORT STEEL ON TOP OF THE ISOLATOR AND ATTACH TO THE TOP PLATE PER PROJECT SPECIFICATIONS.
- 4) LOOSEN THE VERTICAL RESTRAINT JAM NUTS TO THE END OF THE RESTRAINT BOLTS.
- 5) TURN LEVELING BOLT(S) IN A COUNTER-CLOCKWISE DIRECTION ONE OR TWO TURNS AT EACH ISOLATOR. CONTINUE DOING THIS UNTIL THE BLOCKING ELEMENTS BECOME LOOSE. DISCONTINUE TURNING AT ANY LOCATION WHERE BLOCKING BECOMES LOOSE, BUT CONTINUE ADJUSTING AT OTHER LOCATIONS UNTIL ALL BLOCKING ELEMENTS ARE LOOSE. IT WILL BE NECESSARY TO MAKE SEVERAL CIRCUITS OF THE ISOLATORS IN ORDER TO UNIFORMLY RAISE THE EQUIPMENT. DO NOT ATTEMPT TO PLACE ALL THE WEIGHT ON ANY ONE ISOLATOR, THIS MAY RESULT IN DAMAGE TO THE ISOLATOR. ONCE ALL BLOCKING ELEMENTS ARE LOOSE THEY CAN BE REMOVED BY PRYING APART WITH A SCREWDRIVER.
- 6) DO NOT ATTEMPT TO MOVE ISOLATORS Laterally WITH THE WEIGHT OF THE EQUIPMENT ON THEM. IF IT IS NECESSARY TO MOVE THE EQUIPMENT, REMOVE THE EQUIPMENT FROM THE ISOLATORS FIRST. FAILURE TO FOLLOW THIS PROCEDURE COULD RESULT IN DAMAGE TO THE ISOLATORS
- 7) WHEN THE EQUIPMENT IS LEVEL PER THE EQUIPMENT MANUFACTURER'S TOLERANCE, TIGHTEN THE VERTICAL RESTRAINING NUTS FINGER TIGHT, THEN BACK OFF ONE FULL TURN. LOCK THE BOLTS WITH THE JAM NUTS PROVIDED.
- 8) REMOVE AND DISCARD ALL BLOCKING ELEMENTS.



NOTE: IF THE EQUIPMENT SUPPORT STEEL IS PERPENDICULAR TO THE LONG AXIS OF THE ISOLATOR, AN ADDITIONAL PLATE, EQUAL IN THICKNESS TO THE TOP PLATE, IS REQUIRED.



By: DCB
Date: 11/17/05
Revised: 05/04/16 / BB

Drawing No:
INS-01.22-0A