



KINETICS NOISE CONTROL, INC  
6300 IRELAN PLACE  
DUBLIN, OHIO 43017  
Ph 614-889-0480, FAX 614-889-0540

## ESR (Drip Pan) Packing List and Unpacking Instructions

Carefully unpack the ESR and layout parts for identification. (See packing list below for included materials). Promptly report any shipping damage to the carrier.

### Packing List for ESR (with Drip Pan) components

Two (2) side rail assemblies, including both top (floating) and bottom (fixed) curb members and the interfacing spring pedestals. (Tagged rails A and B.)

*(For Rails that exceed 24 ft in length, these will be split into (2) sections each for shipping and will include hardware to connect the 2 sections together.)*

Two (2) galvanized end channels (fixed portion of the curb). (Tagged rail C and D)

One (1) 4" structural end channel (Isolated portion of the curb). (Tagged rail C)

One (1) 4" structural Intermediate channel (Isolated portion of the curb). (Tagged rail E)

One (1) 4" Open end channel. (Isolated portion of the curb) (Tagged rail D)

One (1) Drip pan (upper portion)

One (1) Drip pan (lower portion)

Top and Bottom cross braces, if required. The quantity of these will vary based on the length of the ESR Specified. The exact number provided on a particular unit is listed on the submittal drawing for that unit.

EPDM weather seal material (equal in length to the total of all 4 sides plus a reasonable drop allowance.)

Galvanized flashing clip for clamping the EPDM weather seal to the top of the isolated channel member. (This is provided in 10 ft lengths with a total quantity provided to equal the length of all (4) sides plus a reasonable drop allowance.)

Cover strip for clamping the EPDM weather seal to the nailer on the fixed portion of the curb. (This is provided in 5 ft lengths with a total quantity provided to equal the length of all (4) sides plus a reasonable drop allowance.)

Spring pocket cover plates, one (1) for each pedestal.

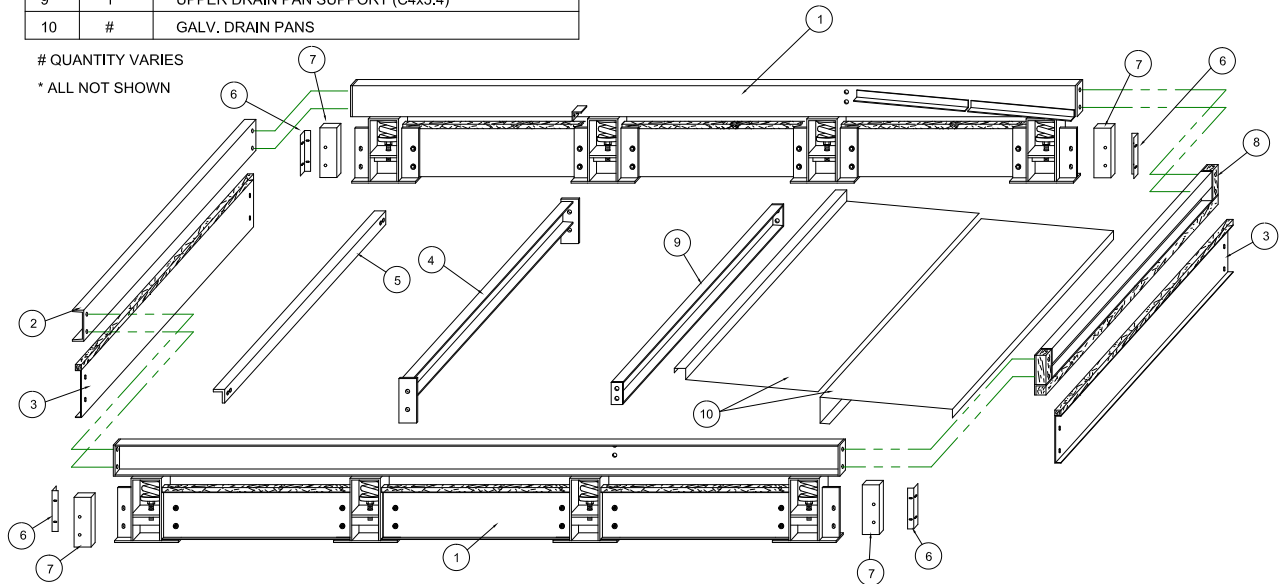
Four (4) formed corner attachment brackets for bolting the fixed curb corners together.

INS-91-02.A0  
Section 2  
2a-1

Miscellaneous hardware consisting of fixed corner plate bolts, nuts, Isolated channel corner bolts, nuts, adhesive strips two (2) for sealing weather seal where the EPDM weather seal is joined, and caulk/screws for sealing and attaching pedestal pocket cover plates. If rails A and B are split, additional hardware is included for the split connection.

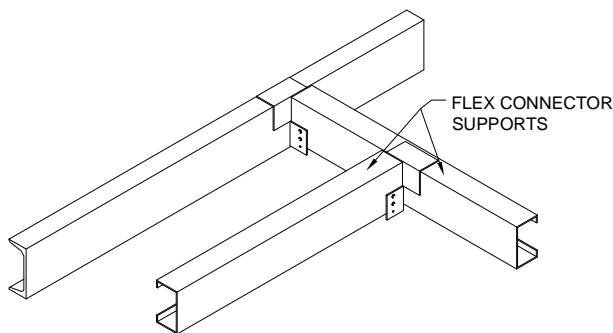
NO.	QTY	DESCRIPTION
1	2	SIDE RAIL ASSEMBLIES
2	1	END TOP CHANNEL (C6x8.2)
3	2	GALVANIZED END CHANNEL & NAILER
4	#	BOTTOM BRACE
5	#	TOP BRACE
6	4	GALVANIZED CORNER ANGLES (SLOTTED HOLES)
7	4	WOOD STUD END PIECE FOR PEDESTALS
8	1	END TOP RAIL (w/ OPENING FOR DRAIN PAN)
9	1	UPPER DRAIN PAN SUPPORT (C4x5.4)
10	#	GALV. DRAIN PANS

# QUANTITY VARIES  
 \* ALL NOT SHOWN



Additional components required for common options are listed below:

### Duct Flex Connector Supports

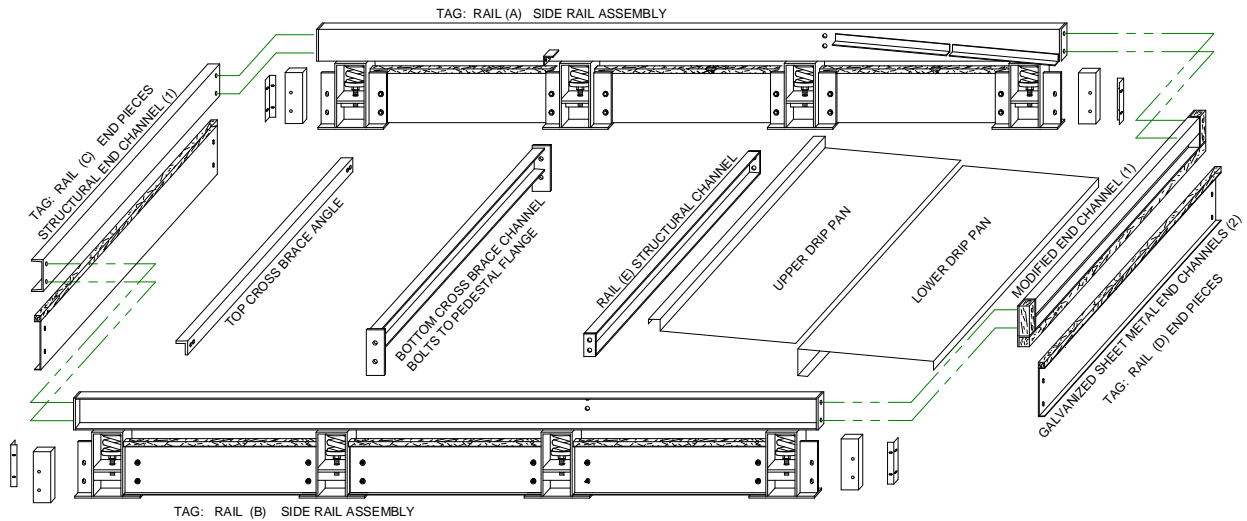


The flex connector supports consist roll formed structural members cut to lengths that allow them to be placed on the curb and offer a feature to which the (fixed) duct systems within the building envelope can be connected (via a flexible membrane). The number of support channels provided is dependent on the inlet and outlet arrangement on the underside of the AHU,

but most commonly involves eight (8) sections. Attachment clips to connect the members together are also provided with a quantity of (2) per channel.

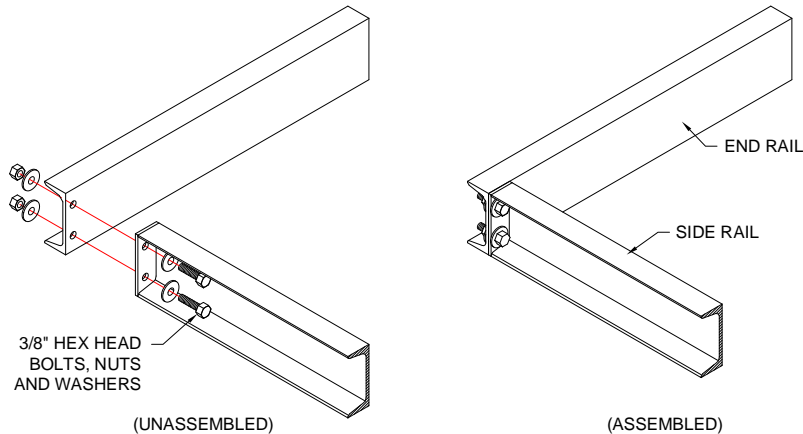
## Drip Pan ESR Basic Orientation and Assembly

1. Determine the orientation of the ESR relative to the equipment by matching the identified end of the ESR submittal information with the corresponding end on the equipment. (May be marked "Cond End", "Supply End", etc.) Orient all tagged components in accordance with this equipment orientation and the sketch below.

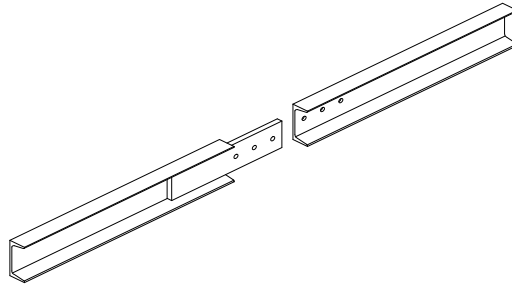


Note the Placement of Rails A, B, C, D and E. Improper placement can result in over or under loaded isolators and excessive vibration transmission. Rail D should be installed with the open area at the bottom.

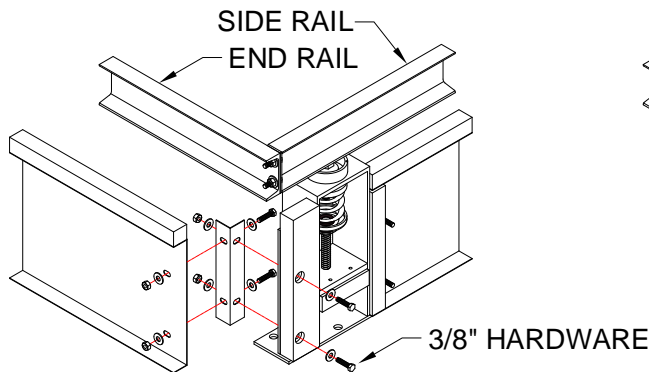
2. Lay the ESR side rail assemblies complete with the pre-located spring pedestals on the building structure.
3. Using the 3/8" hex head screws, nuts and washers removed from the shipping carton, bolt together the upper channel sections as shown below to form the perimeter of the isolated portion of the curb.



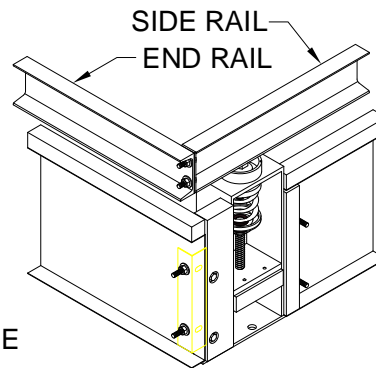
4. If a splice is required for the top channel, refer to the sketch below for the connection arrangement. First bolt and then weld around these connections.



4. Fasten together all bottom galvanized channel sections to form the perimeter of the fixed portion of the curb. Depending on the curb dimensions, the corner arrangement will be per one of the sketches below. Assemble the end channels using the punched, formed corner angle brackets provided in the carton. Note that the holes are slotted to facilitate alignment and adjustment. All connections should be made using 3/8" nut, bolt and flat washers provided.

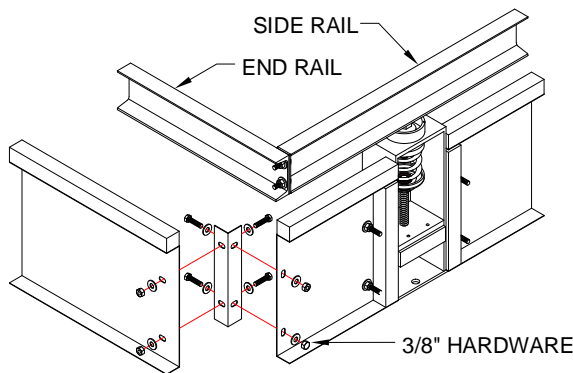


UNASSEMBLED

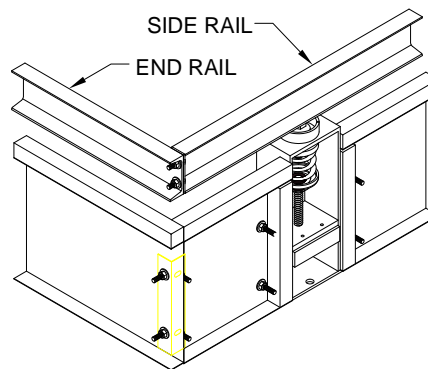


ASSEMBLED

BOTTOM CORNER ASSEMBLY (TYPICAL, WITH PEDESTAL AT END OF SIDE RAIL)



UNASSEMBLED

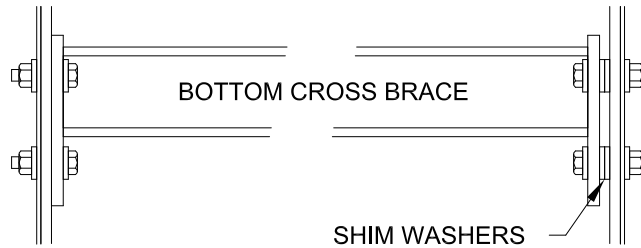


ASSEMBLED

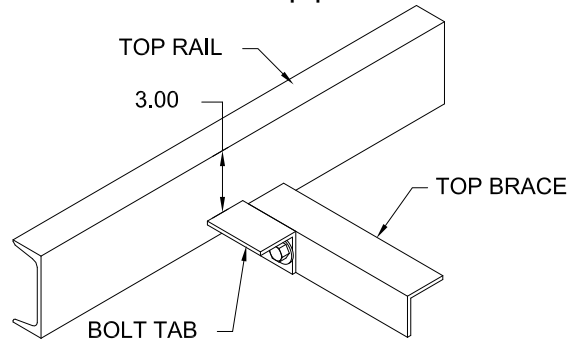
BOTTOM CORNER ASSEMBLY (ALTERNATE, WITH PEDESTAL INBOARD FROM END OF RAIL)

5. Bolt Rail E into place at the interior end of the drip pan.

6. If cross braces are indicated for this installation, space the lower cross brace channels as indicated in the supplied submittal drawing. Note that the braces will be attached using the same bolts that attach the formed galvanized side channel to the spring pedestals. The cross brace as supplied is slightly too the short for a direct connection (to allow for adjustment). Align the sides and use the provided 3/8" washers as shims on one end of the cross brace to fill the gap before tightening the attachment bolts.

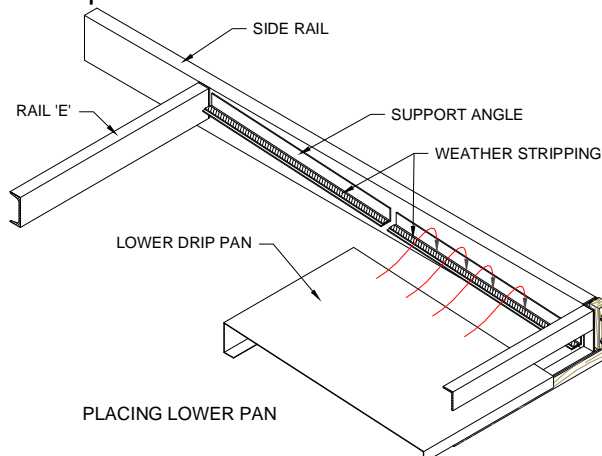


7. Installation of the upper cross brace (if indicated) is accomplished by bolting the cross frame angle to the bolt tabs welded to the top perimeter channels as shown below.



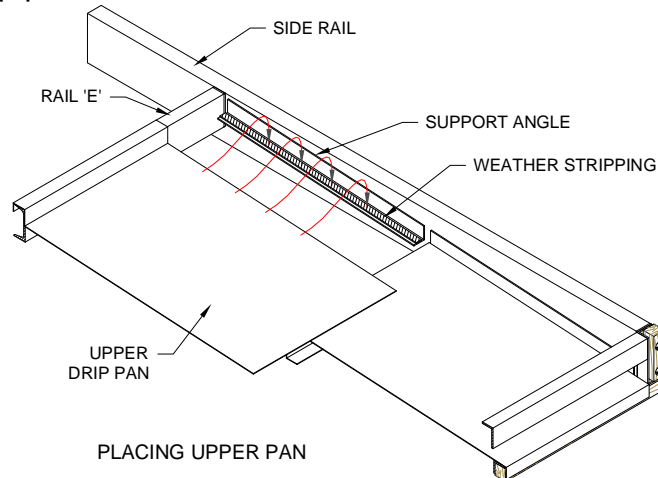
8. Place a strip of the provided 1/8" x 3/4" weather stripping material along the full length of the drip pan support angles attached to Rails A and B.

9. Place the lower drip pan section on the angles and weather stripping as shown. Do not screw down at this point.



INS-91-03.01  
 Section 3  
 3-3

10. Place the upper drip pan section so that it overlaps the lower drip pan and so that the upper lip is supported on Rail E. In some instances, drip pans may be long enough that they are made up of more than 2 sections, if so overlap the central sections, fitting the upper drip pan section in last.



11. Starting at the top, attach the drip pan sections to the support angles on the side rails using the provided 5' long aluminum cover strips and #8 TEK screws.

*Leave the bottom 2 ft of the drip pan and the lip attachment at Rail D alone at this point as the weather seal must be fitted into place before making these final connections. Refer to **Section 5** for the installation of the weather seal.*

*With the weather seal in place, complete the following 2 steps.*

12. Once the weather seal is inserted, the final screws connecting the drip pan to the support angles can be fitted as can the screws which connect the lower lip of the drip pan to the nailer at the bottom of Rail D.

13. Caulk all seams and joints to ensure that the assembly is water tight.

*If this assembly includes a Pipe Chase, is taller than standard height (20.25" for 1 or 2" deflection systems or 21.25" for 4" deflection systems), or mounts to a sloped roof, some additional assembly steps are required at this point. Refer to later portions of this section for further detail.*