

TABLE OF CONTENTS

FLOOR/CURB (HARD) MOUNTED SEISMIC BRACKETS

General Description	P1.1
Submittal Data	
Floor Mounted Equipment	P1.2
KSMS Mounting Clips (Equipment Attachment)	P1.2.1
KSMG Mounting Clips (Equipment Attachment)	P1.2.2
KSMS & KSMG Locating Guide	P1.2.3
Curb Mounted Equipment	P1.3
KSMF Mounting Kits (Mushroom Fans, Louvers, and etc.)	P1.3.1
KSCM-1 Mounting Kits (Equipment to Curb Attachment)	P1.3.2
KSCM-2 Mounting Kits (Equipment to Curb Attachment)	P1.3.3
KSCV Seismic & Wind Vertical Restraint Kit	P1.3.4
KSVR Seismic Curb Wall Vertical Reinforcement Kit	P1.3.5
Selection Information	P1.4

TABLE OF CONTENTS (Chapter P1)

FLOOR/CURB SEISMIC MOUNTING BRACKETS

RELEASE DATE: 6/09/04



DUBLIN, OHIO, USA • MISSISSAUGA, ONTARIO, CANADA

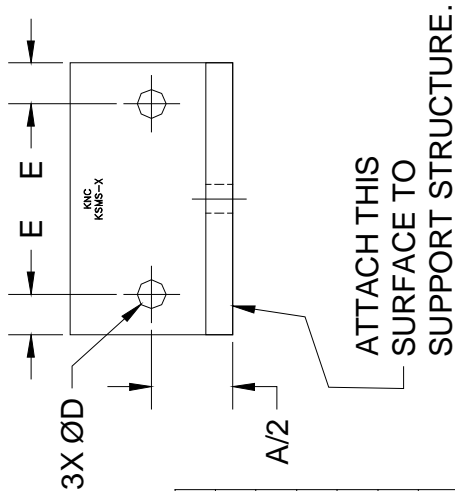
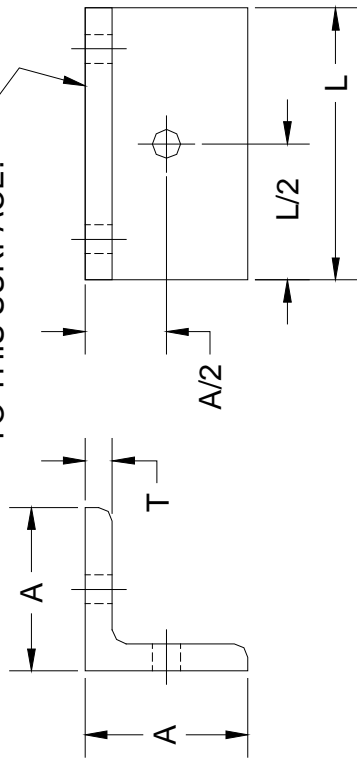
Toll Free (USA only): 800-959-1229
International: 614-889-0480
Fax: 614-889-0540
World Wide Web: www.kineticsnoise.com
Email: sales@kineticsnoise.com

PAGE:

P1.0

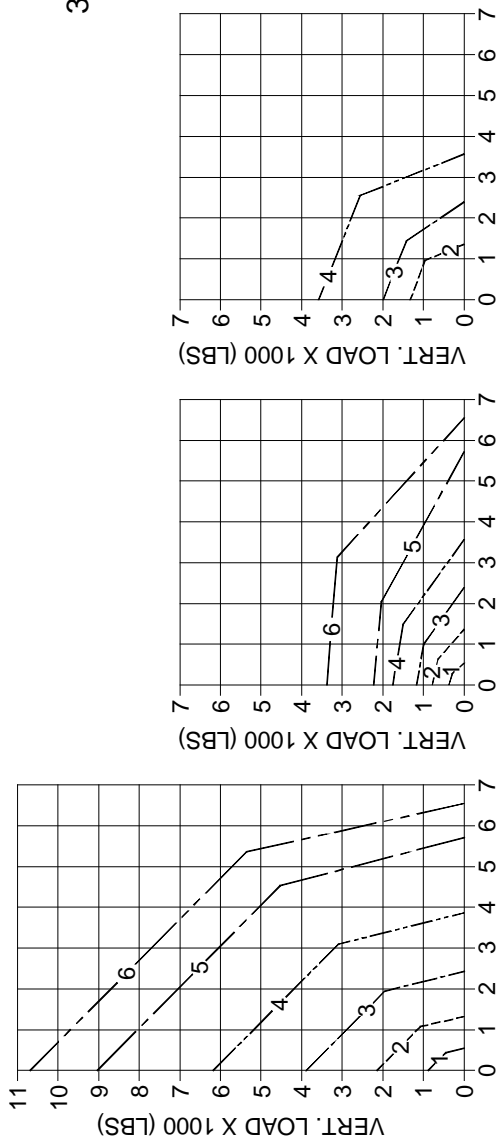


ATTACH EQUIPMENT TO THIS SURFACE.



ATTACH THIS SURFACE TO SUPPORT STRUCTURE.

MODEL	A (in.)	L (in.)	T (in.)	E (in.)	ØD (in.)
KSMS-1	2.00	4.25	0.25	0.38	0.31
KSMS-2	2.50	5.75	0.38	0.56	0.44
KSMS-3	3.00	7.00	0.50	0.75	0.56
KSMS-4	4.00	9.50	0.63	0.94	0.69
KSMS-5	5.00	12.00	0.75	1.13	0.81
KSMS-6	6.00	10.00	1.00	1.50	1.06



HORIZ. LOAD X 1000 (LBS)
ATTACHED TO CONCRETE
UNDERCUT ANCHORS

HORIZ. LOAD X 1000 (LBS)
ATTACHED TO CONCRETE
WEDGE TYPE ANCHORS

HORIZ. LOAD X 1000 (LBS)
ATTACHED TO STEEL

KSMS SEISMIC EQUIPMENT BRACKET

PAGE 1 OF 3 - DRAWING: S-88.071-2A

RELEASE DATE: 5/13/04



Toll Free (USA only): 800-959-1229
 International: 614-889-0480
 Fax: 614-889-0540
 World Wide Web: www.kineticsnoise.com
 Email: sales@kineticsnoise.com

DOCUMENT:

P1.2.1



DUBLIN, OHIO, USA • MISSISSAUGA, ONTARIO, CANADA

VIEWS ON THIS DRAWING ARE INTENDED TO SHOW THE VARIOUS ATTACHMENT OPTIONS TO THE EQUIPMENT & STRUCTURE. THEY MAY BE USED IN OTHER COMBINATIONS THAN THOSE SHOWN.

MODEL	H (in.)	Lw (in.)
KSMS-1	0.13 OR 0.25	1.00
KSMS-2	0.13 OR 0.25	2.00
KSMS-3	0.25	2.75
KSMS-4	0.25	4.00
KSMS-5	0.25	5.00
KSMS-6	0.25	6.00

OPTIONAL EQUIPMENT & STRUCTURE ATTACHMENT BY WELD

LW
TYP
3 PLC.S

TYP
H

KSMS KNC SEISMIC EQUIP. BRACKET BY KINETICS.

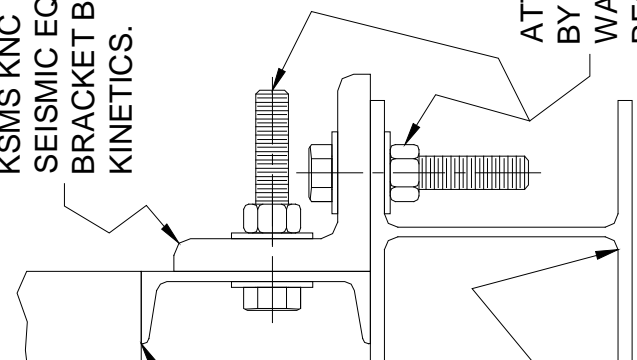
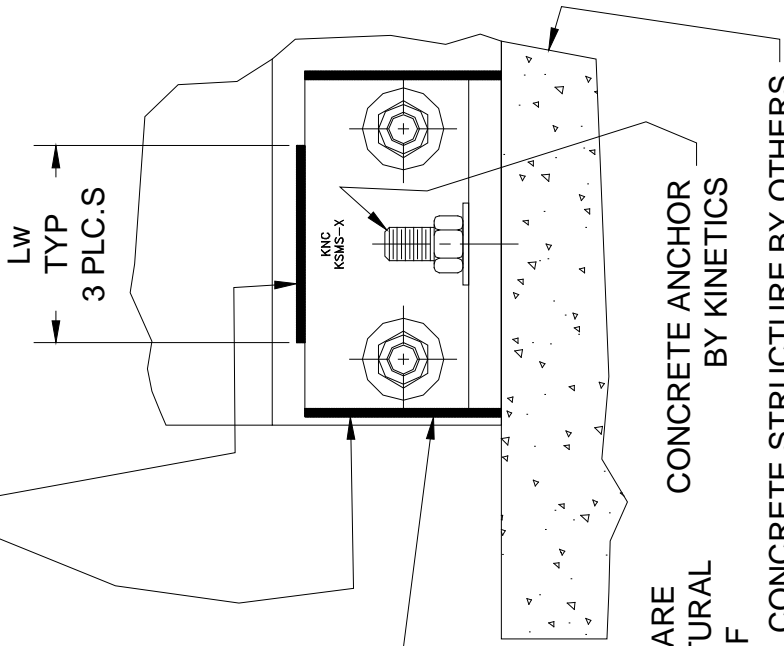
EQUIPMENT

STRUCTURAL STEEL BY OTHERS

ATTACHMENT HARDWARE BY KINETICS. (STRUCTURAL WASHER BY OTHERS IF REQUIRED.)

CONCRETE ANCHOR BY KINETICS

CONCRETE STRUCTURE BY OTHERS



KSMS SEISMIC EQUIPMENT BRACKET

PAGE 2 OF 3 – DRAWING: S-88.071-2B

RELEASE DATE: 5/13/04



DUBLIN, OHIO, USA • MISSISSAUGA, ONTARIO, CANADA

Toll Free (USA only): 800-959-1229
 International: 614-889-0480
 Fax: 614-889-0540
 World Wide Web: www.kineticsnoise.com
 Email: sales@kineticsnoise.com

DOCUMENT:

P1.2.1



KSMS BRACKET INSTALLATION INSTRUCTIONS:

- 1.) LOCATE AND SET EQUIPMENT PER THE MECHANICAL DRAWINGS, OR PER THE INSTRUCTIONS OF THE DESIGN PROFESSIONAL OF RECORD.
- 2.) THE KSMS BRACKETS ARE THEN POSITIONED AGAINST THE LONG SIDES OF THE EQUIPMENT PER THE THE INSTRUCTIONS GIVEN IN DRAWINGS S-88.071-1A AND S-88.071-1B, AND THE "KINETICS SEISMIC CERTIFICATION". THE EQUIPMENT MOUNTING SURFACE OF THE KSMS BRACKET MUST BE ENTIRELY ON THE EQUIPMENT AS SHOWN IN DRAWING S-88.071-2B.
- 3.) THE DIMENSIONS (A) AND (B) GIVEN IN THE "KINETICS SEISMIC CERTIFICATION" ARE APPROXIMATE. HOLES IN THE BUILDING STRUCTURE SHOULD BE DRILLED ONLY AFTER THE KSMS BRACKETS HAVE BEEN POSITIONED AS DESCRIBED IN STEP 2.
- 4.) IF "BACKING" STEEL MUST BE ADDED TO THE EQUIPMENT TO MOUNT AND SUPPORT THE KSMS BRACKET IT MUST HAVE A THICKNESS AT LEAST AS GREAT AS THE KSMS BRACKET BEING USED TO MOUNT ATTACH THE EQUIPMENT TO THE BUILDING STRUCTURE.
- 5.) IF USING THE BOLTS OR ANCHORS TO ATTACH THE KSMS BRACKET TO THE BUILDING STRUCTURE, LOCATE, MARK, AND DRILL THE APPROPRIATE HOLES IN THE STRUCTURE BEFORE PERMANENTLY ATTACHING THE BRACKET TO THE EQUIPMENT.
- 6.) IF USING BOLTS TO PERMANENTLY ATTACH THE KSMS BRACKET TO THE EQUIPMENT, LOCATE, MARK AND DRILL THE APPROPRIATE HOLES IN THE EQUIPMENT. THE KSMS BRACKET MOUNTING SURFACE MUST BE ENTIRELY ON THE EQUIPMENT AS SHOWN IN DRAWING S-88.071-2B.
- 7.) REPOSITION THE KSMS BRACKETS, AND MAKE THE PERMANENT ATTACHMENTS TO THE EQUIPMENT. THIS ATTACHMENT MAY BE EITHER BY USING THE BOLTS, NUTS, AND WASHERS PROVIDED WITH THE KSMS KITS, OR THE OPTIONAL WELDS AS SHOWN IN DRAWING S-88.071-2B.
- 8.) INSTALL THE CONCRETE ANCHORS OR BOLTS IN THE RESPECTIVE HOLES THAT HAVE BEEN DRILLED IN STRUCTURE.
- 9.) THE KSMS BRACKET MAY BE WELDED TO THE STRUCTURE USING THE WELD SIZE & LENGTH GIVEN IN DRAWING S-88.071-2B FOR THE OPTIONAL WELD ATTACHMENT TO THE EQUIPMENT.

KSMS SEISMIC EQUIPMENT BRACKET

PAGE 3 OF 3 – DRAWING: S-88.071-2C

RELEASE DATE: 5/13/04



DUBLIN, OHIO, USA • MISSISSAUGA, ONTARIO, CANADA

Toll Free (USA only): 800-959-1229
International: 614-889-0480
Fax: 614-889-0540
World Wide Web: www.kineticsnoise.com
Email: sales@kineticsnoise.com

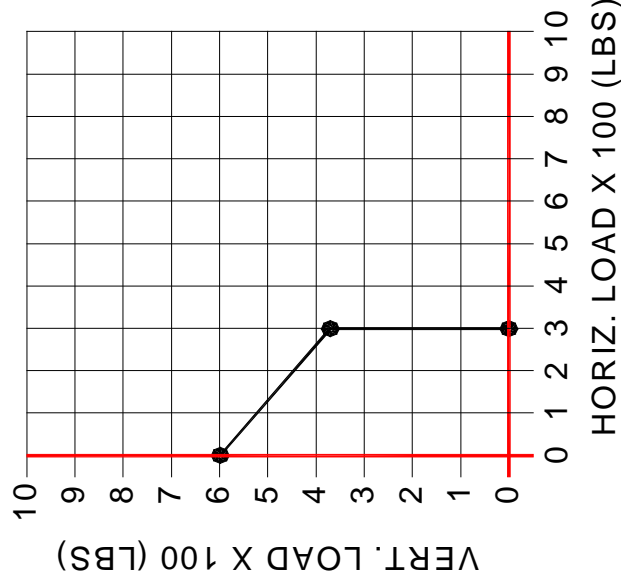
DOCUMENT:

P1.2.1



#10-16 X 1.5 SELF DRILLING
SHEET METAL SCREWS BY KINETICS
TWO (2) REQ.'D PER CLIP

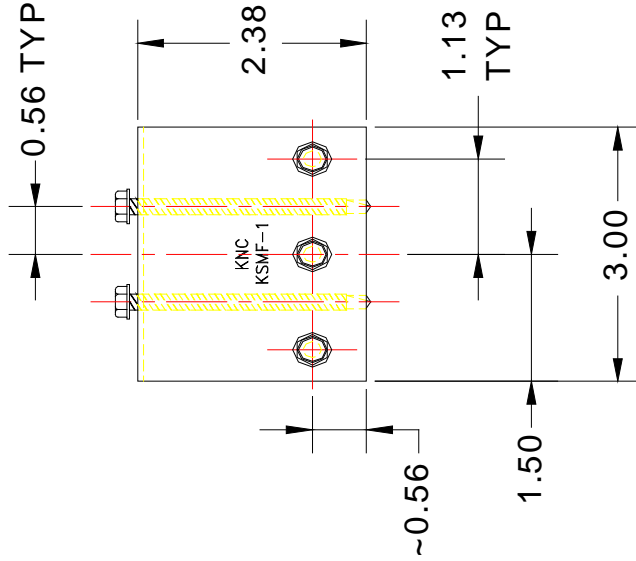
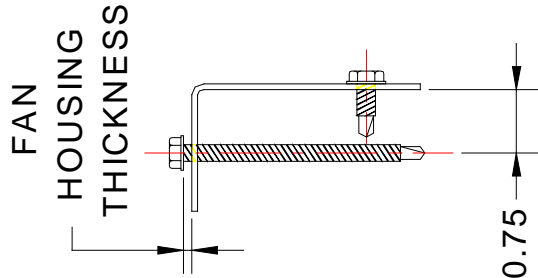
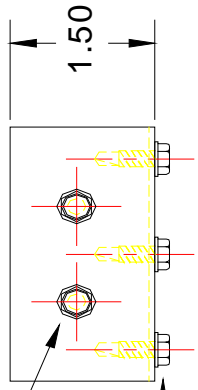
#10-16 X 0.63 SELF DRILLING
SHEET METAL SCREWS BY KINETICS
THREE (3) REQ.'D
PER CLIP



BRACKET ATTACHMENT CAPACITY 0.75

- NOTE: 1.) LOCATING DIMENSIONS ARE APPROX.
PILOT HOLES MAY BE PRE-DRILLED
USING A No. 22 DRILL.
2.) FASTENERS TO BE LOCATED WITH
BRACKET ON CURB.

REFERENCE DWG.S: 88.071-17, S-88.071-17B, S-88.071-17C, AND S-88.071-17D



KSMF-1 KNC SEISMIC "MUSHROOM" FAN BRACKET

DRAWING # S-88.071-17A

RELEASE DATE: 10/31/03

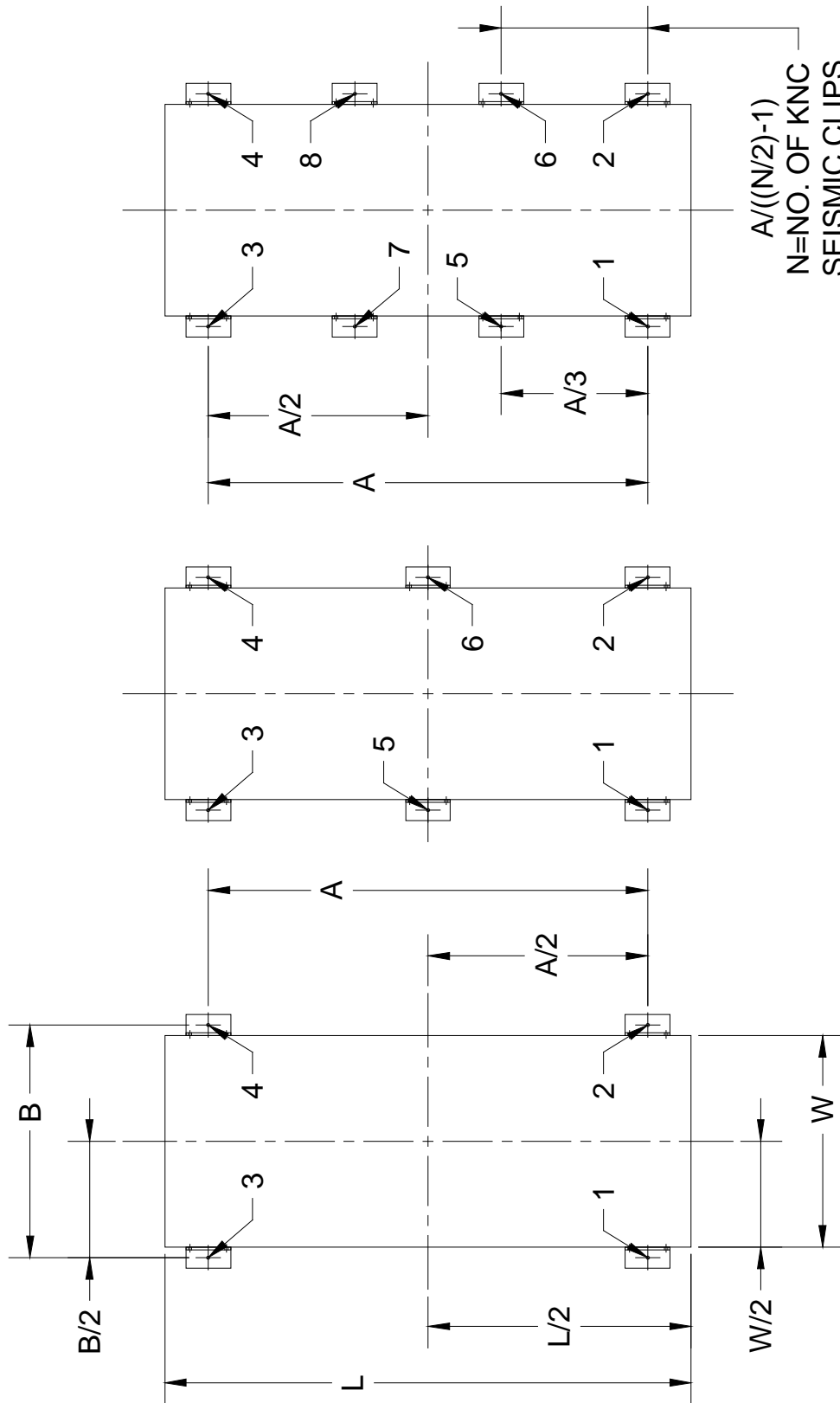


DUBLIN, OHIO, USA • MISSISSAUGA, ONTARIO, CANADA

Toll Free (USA only): 800-959-1229
International: 614-889-0480
Fax: 614-889-0540
World Wide Web: www.kineticsnoise.com
Email: sales@kineticsnoise.com

DOCUMENT:
P1.2.2





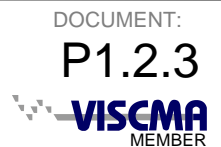
KSMS & KSMG LOCATING GUIDE

PAGE 1 OF 2 – DRAWING: S-88.071-1A

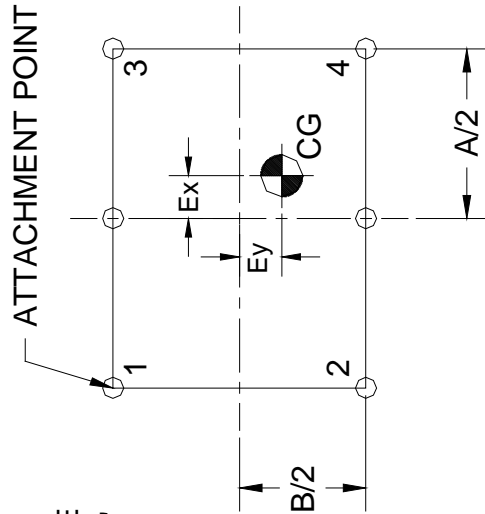
RELEASE DATE: 5/13/04



Toll Free (USA only): 800-959-1229
 International: 614-889-0480
 Fax: 614-889-0540
 World Wide Web: www.kineticsnoise.com
 Email: sales@kineticsnoise.com



KSMS & KSMG BRACKET LOCATING INSTRUCTIONS:



- 1.) SHOWN AT THE RIGHT IS A COPY OF THE FIGURE THAT APPEARS IN THE TOP LEFT HAND QUADRANT OF THE "KINETICS SEISMIC CERTIFICATION" FOR THE PIECE OF EQUIPMENT TO BE MOUNTED. THE POINTS 1, 2, 3, AND 4 INDICATE THE CORNER ATTACHMENT BRACKETS. THEY ARE LOCATED OFF OF THE GEOMETRIC CENTER LINES FOR THE EQUIPMENT.
- 2.) TYPICALLY (A) IS THE LOCATING DIMENSION ALONG THE LENGTH OF THE EQUIPMENT, AND (B) IS THE LOCATING DIMENSION ACROSS THE WIDTH OF THE EQUIPMENT.
- 3.) THE C.G. LOCATION FOR THE EQUIPMENT IS LOCATED OFF OF THE GEOMETRIC CENTER OF THE EQUIPMENT BY (Ex) ALONG THE LENGTH OF THE EQUIPMENT, AND (Ey) ACROSS THE WIDTH OF THE EQUIPMENT.
- 4.) DRAWING S-88.071-1A SHOWS THREE PLAN VIEWS OF A TYPICAL AIR HANDLING UNIT CABINET. THEY COULD ALSO REPRESENT TYPICAL PUMP BASES, FAN BASES, OR FAN HOUSINGS. IN THESE FIGURES, (L) IS THE LENGTH OF THE PIECE OF EQUIPMENT. THE DIMENSION (A) IS THE DISTANCE BETWEEN ATTACHMENT POINTS 1 & 3 AND 2 & 4. EACH OF THESE POINTS IS A DISTANCE (A/2) OFF OF THE CENTER OF THE EQUIPMENT. THE DIMENSION (B) IS THE DISTANCE BETWEEN ATTACHMENT POINTS 1 & 2 AND 3 & 4. EACH OF THESE POINTS IS A DISTANCE (B/2) OFF OF THE CENTER OF THE EQUIPMENT.
- 5.) IF THE "KINETICS SEISMIC CERTIFICATION" INDICATES THAT MORE THAN FOUR ATTACHMENT POINTS ARE REQUIRED FOR A PIECE OF EQUIPMENT, THERE WILL ALWAYS BE AN EVEN NUMBER OF ATTACHMENT POINTS. HALF OF THE ATTACHMENT POINTS WILL BE ON ONE LONG SIDE OF THE EQUIPMENT, AND HALF WILL BE ON THE OTHER LONG SIDE OF THE EQUIPMENT.
- 6.) THE ADDITIONAL ATTACHMENT POINTS WILL BE EQUALLY SPACED BETWEEN ATTACHMENT POINTS 1 & 3 AND 2 & 4.

KSMS & KSMG LOCATING GUIDE

PAGE 2 OF 2 – DRAWING: S-88.071-1B

RELEASE DATE: 5/13/04



DUBLIN, OHIO, USA • MISSISSAUGA, ONTARIO, CANADA

Toll Free (USA only): 800-959-1229
 International: 614-889-0480
 Fax: 614-889-0540
 World Wide Web: www.kineticsnoise.com
 Email: sales@kineticsnoise.com

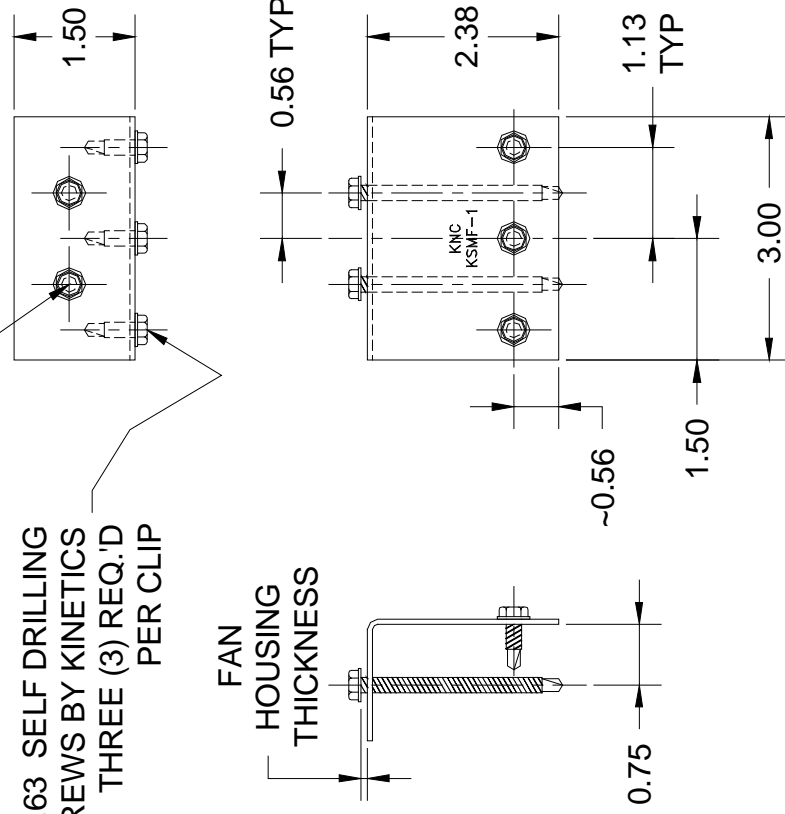
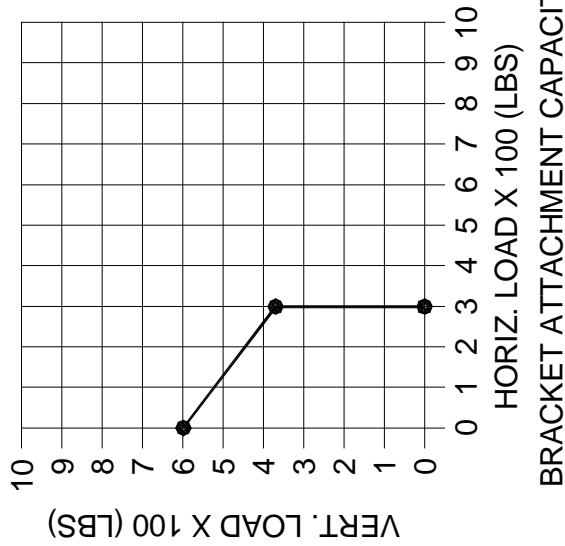
DOCUMENT:

P1.2.3



#10-16 X 1.5 SELF DRILLING SHEET METAL SCREWS BY KINETICS TWO (2) REQ.'D PER CLIP

#10-16 X 0.63 SELF DRILLING SHEET METAL SCREWS BY KINETICS THREE (3) REQ.'D PER CLIP



NOTE: 1.) LOCATING DIMENSIONS ARE APPROX. PILOT HOLES MAY BE PRE-DRILLED USING A No. 22 DRILL.
 2.) FASTENERS TO BE LOCATED WITH BRACKET ON CURB.

KSMF MOUNTING KIT (MUSHROOM FANS, LOUVERS, AND ETC.)

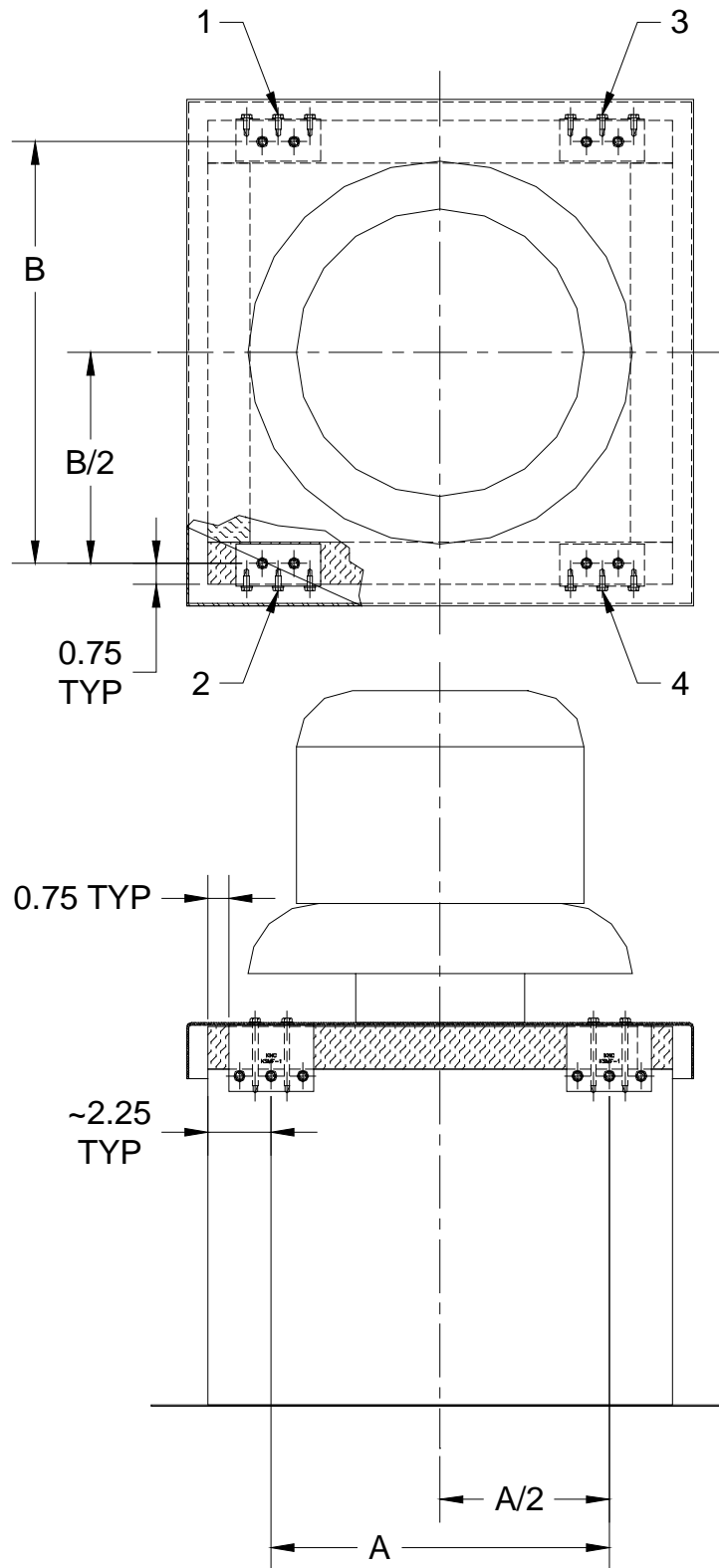
PAGE 1 OF 4 – DRAWING: S-88.071-17A

RELEASE DATE: 5/13/04



Toll Free (USA only): 800-959-1229
 International: 614-889-0480
 Fax: 614-889-0540
 World Wide Web: www.kineticsnoise.com
 Email: sales@kineticsnoise.com

DOCUMENT:
P1.3.1



KSMF MOUNTING KIT (MUSHROOM FANS, LOUVERS, AND ETC.)

PAGE 2 OF 4 – DRAWING: S-88.071-17B

RELEASE DATE: 5/13/04

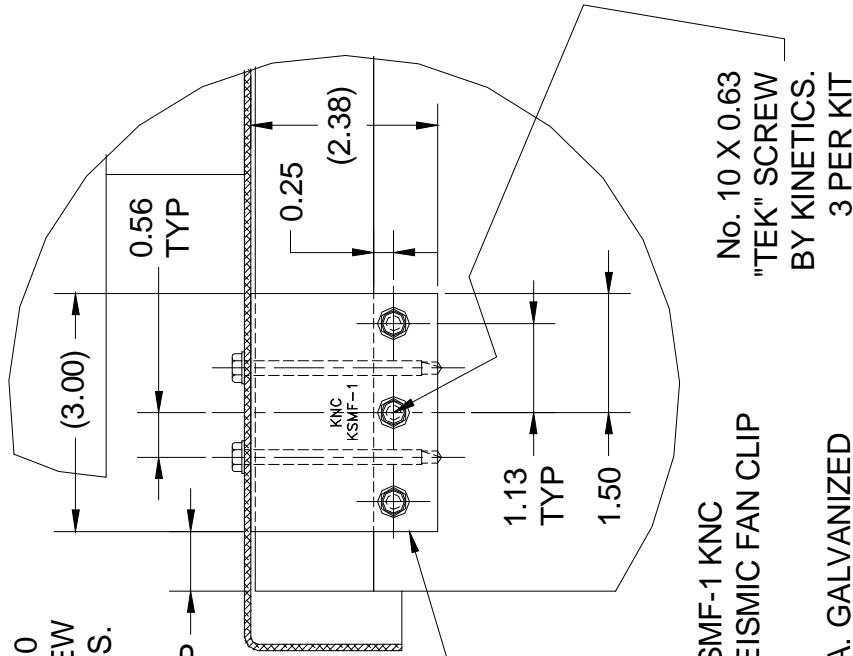
KINETICS
Noise Control

DUBLIN, OHIO, USA • MISSISSAUGA, ONTARIO, CANADA

Toll Free (USA only): 800-959-1229
 International: 614-889-0480
 Fax: 614-889-0540
 World Wide Web: www.kineticsnoise.com
 Email: sales@kineticsnoise.com

DOCUMENT:
P1.3.1

VISCMA
MEMBER



No. 10 X 2.50
"TEK" SCREW
BY KINETICS.
2 PER KIT

No. 10 X 0.63
"TEK" SCREW
BY KINETICS.
3 PER KIT

18 GA. GALVANIZED
STEEL CURB WITH
FULLY WELDED CORNERS
BY OTHERS.

MAY REQUIRE A PILOT HOLE
No. 22 DRILL X 1.25 DEEP
BY OTHERS

PREFERRED
INSTALLATION

OPTIONAL
INSTALLATION

NOTE: 1.) LOCATING DIMENSIONS ARE APPROX.
PILOT HOLES MAY BE PRE-DRILLED
USING A No. 22 DRILL.
2.) FASTENERS TO BE LOCATED WITH
BRACKET ON CURB.

KSMF MOUNTING KIT (MUSHROOM FANS, LOUVERS, AND ETC.)

PAGE 3 OF 4 – DRAWING: S-88.071-17C

RELEASE DATE: 5/13/04



Toll Free (USA only): 800-959-1229
International: 614-889-0480
Fax: 614-889-0540
World Wide Web: www.kineticsnoise.com
Email: sales@kineticsnoise.com

DOCUMENT:
P1.3.1
VISCMA
MEMBER

DUBLIN, OHIO, USA • MISSISSAUGA, ONTARIO, CANADA

KSMF-1 "MUSHROOM" FAN BRACKET INSTRUCTIONS:

1.) SHOWN AT THE RIGHT IS A COPY OF THE FIGURE THAT APPEARS IN THE TOP LEFT HAND QUADRANT OF THE "KINETICS SEISMIC CERTIFICATION" FOR THE PIECE OF EQUIPMENT TO BE MOUNTED. THE POINTS 1, 2, 3, AND 4 INDICATE THE CORNER ATTACHMENT BRACKETS. THEY ARE LOCATED OFF OF THE GEOMETRIC CENTER LINES FOR THE EQUIPMENT.

2.) TYPICALLY (A) IS THE LOCATING DIMENSION ALONG THE LENGTH OF THE EQUIPMENT, AND (B) IS THE LOCATING DIMENSION ACROSS THE WIDTH OF THE EQUIPMENT. THESE DIMENSIONS, AS APPLIED, TO "MUSHROOM" FANS ARE DEFINED IN S-88.071-17B.

3.) THE C.G. LOCATION FOR THE EQUIPMENT IS LOCATED OFF OF THE GEOMETRIC CENTER OF THE EQUIPMENT BY (Ex) ALONG THE LENGTH OF THE EQUIPMENT, AND (Ey) ACROSS THE WIDTH OF THE EQUIPMENT.

4.) LOCATE THE KSMF-1 BRACKETS ON THE FAN CURB AS SHOWN IN S-88.071-17B, AND INSTALL (3) No. 10 X 0.63 SELF-DRILLING TEK SCREWS PER BRACKET AS SHOWN IN S-88.071-17C. THESE TEK SCREWS ARE TO HOLD THE BRACKET IN PLACE WHILE THE FAN IS BEING SET.

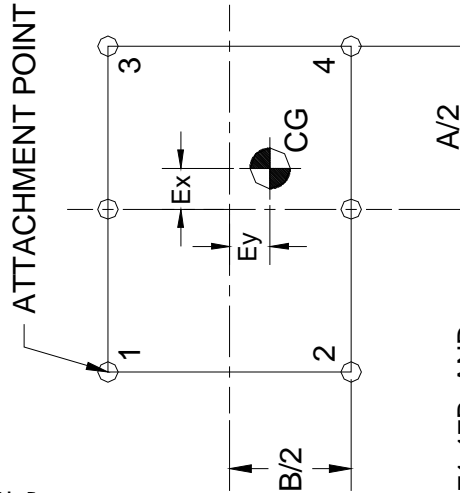
5.) INSTALL WEATHER STRIPPING (BY OTHERS) OVER THE TOP OF THE CURB & KSMF-1 BRACKETS.

6.) CAREFULLY MEASURE THE MOUNTING FLANGE OF THE FAN AND THE TOP OF THE CURB WITH THE KSMF-1 BRACKETS PROPERLY LOCATED. MARK THE BRACKET LOCATIONS AND APPROXIMATE LOCATIONS FOR (2) No. 10 X 2.50 TEK SCREWS ON THE TOP OF THE FAN FLANGE.

7.) SET THE FAN ON THE CURB AND ADJUST ITS POSITION SO THAT THE LOCATIONS MARKED IN STEP 5.) LINE UP WITH THE KSMF-1 BRACKETS ON THE CURB.

8.) INSTALL (2) No. 10 X 2.50 SELF -DRILLING TEK SCREWS PER KSMF-1 BRACKET AS SHOWN IN S-88.071-17B AND S-88.071-C. THE SCREWS MUST PASS THROUGH THE BRACKET, CURB NAILER, AND CURB SHEET METAL TO BE EFFECTIVE.

9.) APPLIED CAULKING (BY OTHERS) TO THE TOPS OF THE No. 10 X 2.50 TEK SCREWS & FAN FLANGE TO SEAL THE CURB.



KSMF MOUNTING KIT (MUSHROOM FANS, LOUVERS, AND ETC.)

PAGE 4 OF 4 – DRAWING: S-88.071-17D

RELEASE DATE: 5/13/04



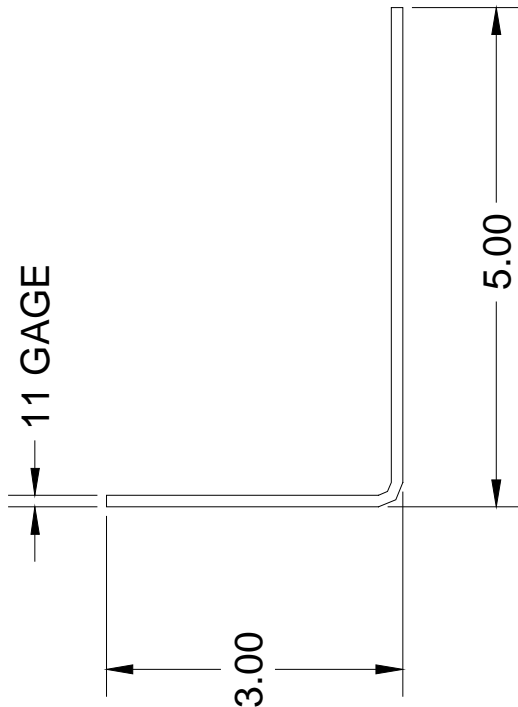
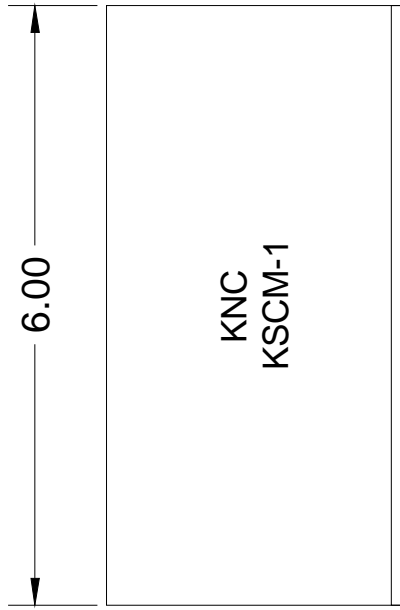
DUBLIN, OHIO, USA • MISSISSAUGA, ONTARIO, CANADA

Toll Free (USA only): 800-959-1229
International: 614-889-0480
Fax: 614-889-0540
World Wide Web: www.kineticsnoise.com
Email: sales@kineticsnoise.com

DOCUMENT:

P1.3.1





NOTES:

- 1.) EACH KSCM-1, KINETICS SEISMIC CURB ATTACHMENT BRACKET, KIT IS APPROX. EQUIVALENT TO ONE (1) 1/4-20 SAE GRADE 2 BOLT IN SHEAR.
HORIZONTAL RESTRAINT CAPACITY = 625 LBS.
- 2.) AT LEAST ONE (1) KSCM-1 KIT IS REQUIRED FOR EACH SIDE OF THE CURB, SEE DRAWING S-88.071-18B.
- 3.) ATTACHMENT TO THE CURB IS BY THREE (3) No. 12-14 X 2.50 SELF DRILLING TEK SCREWS PER BRACKET.
- 4.) ATTACHMENT TO EQUIPMENT MAY BE BY WELD OR THREE (3) No. 12-14 X 0.75 SELF DRILLING TEK SCREWS SEE DRAWING S-88.071-18D DETAILS.

KSCM-1 MOUNTING KIT (EQUIPMENT TO CURB ATTACHMENT)

PAGE 1 OF 5 – DRAWING: S-88.071-18A

RELEASE DATE: 5/13/04

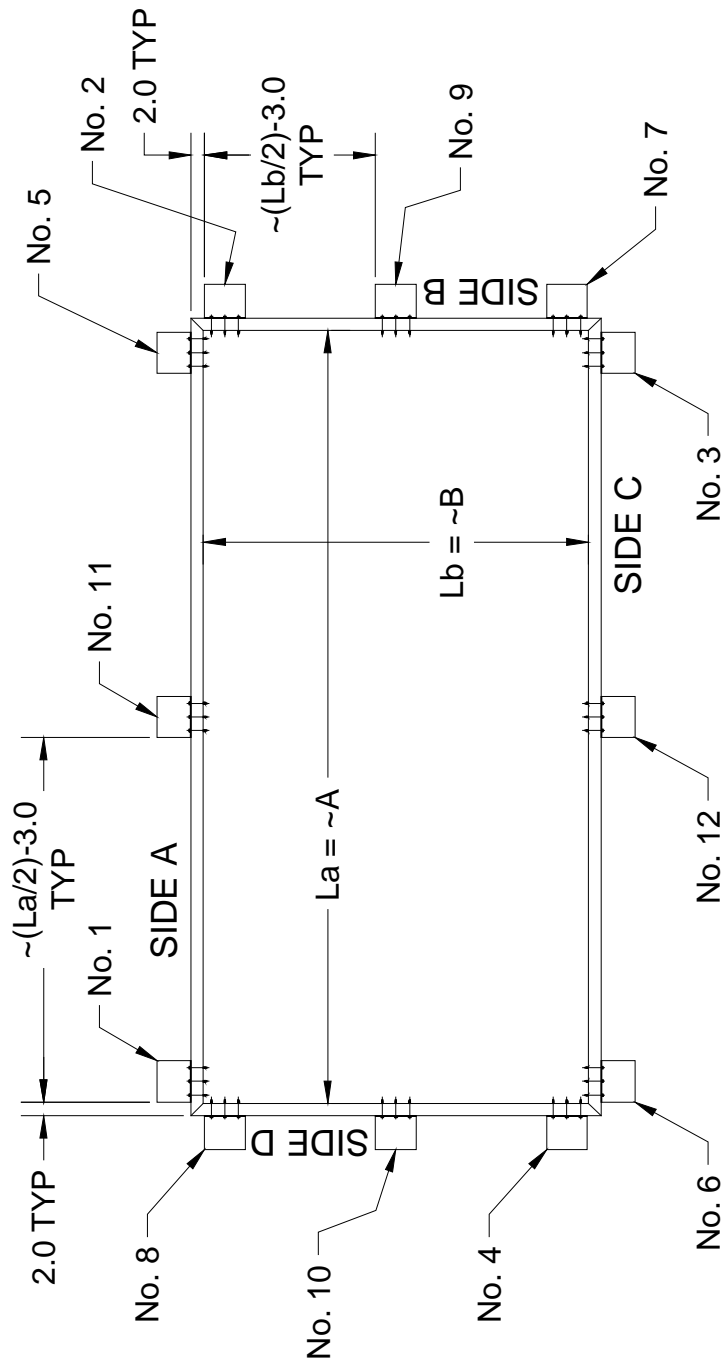


DUBLIN, OHIO, USA • MISSISSAUGA, ONTARIO, CANADA

Toll Free (USA only): 800-959-1229
 International: 614-889-0480
 Fax: 614-889-0540
 World Wide Web: www.kineticsnoise.com
 Email: sales@kineticsnoise.com

DOCUMENT:
P1.3.2





NOTES:

- 1.) KSCM-1 SEISMIC RESTRAINT BRACKETS (No. 1) THRU (No. 4) ARE REQUIRED FOR EACH CURB INSTALLATION.
- 2.) ADDITIONAL KSCM-1 RESTRAINT BRACKETS MAY BE REQUIRED AS INDICATED BY A KINETICS SEISMIC CERTIFICATION.
- 3.) ADDITIONAL KSCM-1 RESTRAINT BRACKETS ARE TO BE ADDED IN PAIRS (No. 5) & (No. 6); (No. 7) & (No. 8); (No. 9) & (No. 10); AND (No. 11) & (No. 12) AS SHOWN IN THE FIGURE ABOVE.

KSCM-1 MOUNTING KIT (EQUIPMENT TO CURB ATTACHMENT)

PAGE 2 OF 5 – DRAWING: S-88.071-18B

RELEASE DATE: 5/13/04



DUBLIN, OHIO, USA • MISSISSAUGA, ONTARIO, CANADA

Toll Free (USA only): 800-959-1229
 International: 614-889-0480
 Fax: 614-889-0540
 World Wide Web: www.kineticsnoise.com
 Email: sales@kineticsnoise.com

DOCUMENT:
P1.3.2
 VISCMA
 MEMBER

KSCM-1 SEISMIC RESTRAINT KIT INSTALLATION INSTRUCTIONS:

- 1.) SHOWN AT THE RIGHT IS A COPY OF THE FIGURE THAT APPEARS IN THE TOP LEFT HAND QUADRANT OF THE "KINETICS SEISMIC CERTIFICATION" FOR THE PIECE OF EQUIPMENT TO BE MOUNTED. THE POINTS 1, 2, 3, AND 4 INDICATE THE APPROX. POSITIONS OF THE FIRST KSCM-1 KITS. THEY ARE LOCATED OFF OF THE GEOMETRIC CENTER LINES FOR THE EQUIPMENT.
- 2.) TYPICALLY (A) IS THE LOCATING DIMENSION ALONG THE LENGTH OF THE EQUIPMENT, AND (B) IS THE LOCATING DIMENSION ACROSS THE WIDTH OF THE EQUIPMENT. THESE DIMENSIONS, AS APPLIED, TO THE KSCM-1 KITS ARE DEFINED IN S-88.071-18B. A WILL BE APPROX. EQUAL TO La, AND B WILL BE APPROX. EQUAL TO Lb AS SHOWN IN S-88.071-18B.
- 3.) THE C.G. LOCATION FOR THE EQUIPMENT IS LOCATED OFF OF THE GEOMETRIC CENTER OF THE EQUIPMENT BY (Ex) ALONG THE LENGTH OF THE EQUIPMENT, AND (Ey) ACROSS THE WIDTH OF THE EQUIPMENT.
- 4.) MEASURE AND MARK THE LOCATIONS OF THE KSCM-1 RESTRAINT KITS ON THE CURB USING S-88.071-18B AS A GUIDE. THERE MUST BE AT LEAST ONE KSCM-1 KIT FOR EACH SIDE OF THE CURB. WHEN LOCATED ACCORDING TO S-88.071-18B, THE KSCM-1 SEISMIC BRACKET KITS WILL ALLOW THE OPTIMUM LOAD DISTRIBUTION IN ALL SIDES OF THE CURB.
- 5.) DEPENDING ON THE CONSTRUCTION OF THE EQUIPMENT THE KSCM-1 KITS MAY BE INSTALLED BEFORE OR AFTER THE EQUIPMENT IS SET IN PLACE, SEE S-88.071-18D FOR EXAMPLES. IN SOME CASES, ONE OF THE KSCM-1 BRACKETS MUST BE INSTALLED BEFORE THE EQUIPMENT IS SET IN PLACE. THE CONSTRUCTION OF THE EQUIPMENT MUST BE KNOWN AND STUDIED BEFORE SETTING THE TO ENSURE PROPER INSTALLATION OF THE KSCM-1 BRACKETS.
- 6.) ATTACHMENT OF THE KSCM-1 BRACKET TO THE CURB IS ACCOMPLISHED WITH THE THREE (3) No. 12-14 X 2.50 SELF-DRILLING TEK SCREWS. **TO BE EFFECTIVE, THE THREADED PORTION OF THESE SCREWS MUST PASS THROUGH THE WOODEN NAILER, AND THE SHEET METAL OF THE CURB SIDE WALL!** CONTINUED ON S-88.071-18C SHT 2.

KSCM-1 MOUNTING KIT (EQUIPMENT TO CURB ATTACHMENT)

PAGE 3 OF 5 – DRAWING: S-88.071-18C SHEET 1

RELEASE DATE: 5/13/04



DUBLIN, OHIO, USA • MISSISSAUGA, ONTARIO, CANADA

Toll Free (USA only): 800-959-1229
 International: 614-889-0480
 Fax: 614-889-0540
 World Wide Web: www.kineticsnoise.com
 Email: sales@kineticsnoise.com

DOCUMENT:

P1.3.2



KSCM-1 SEISMIC RESTRAINT KIT INSTALLATION INSTRUCTIONS CONT'D:

- 7.) THE EQUIPMENT ATTACHMENT IS MADE WITH **THREE (3) No. 12-14 X 0.75 SELF DRILLING TEK SCREWS**.
OPTIONAL ATTACHMENT IS MADE BY **THREE (3) 1/8 X 1.0 WELDS**. SEE S-88.071-18D FOR DETAILED EXAMPLES.
- 8.) SEAL ALL EQUIPMENT PENETRATIONS WITH A GOOD RTV CAULKING COMPOUND, BY OTHERS.
- 9.) **WARNING:** WHEN ATTACHING TO EQUIPMENT USING SELF DRILLING TEK SCREWS, BE SURE THAT ELECTRICAL & CONTROL WIRES & CONDUITS, AND FLUIDS HOSES ARE NOT IN THE PATHS OF THE TEK SCREWS!
- 10.) **CAUTION:** DO NOT BLOCK EQUIPMENT ACCESS & MAINTENANCE DOORS WITH KSCM-1 BRACKETS!

KSCM-1 MOUNTING KIT (EQUIPMENT TO CURB)

PAGE 4 OF 5 – DRAWING: S-88.071-18C SHEET 2

RELEASE DATE: 5/1304



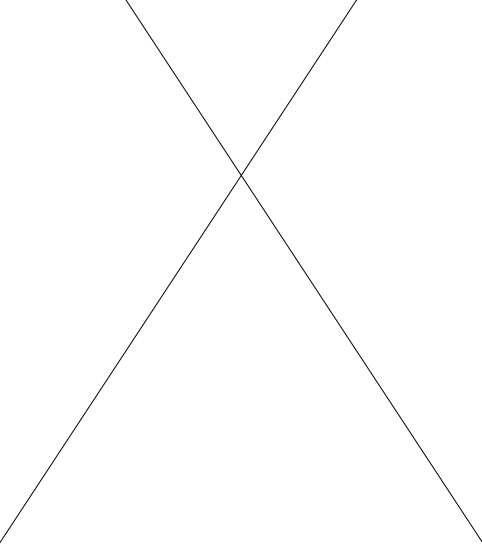
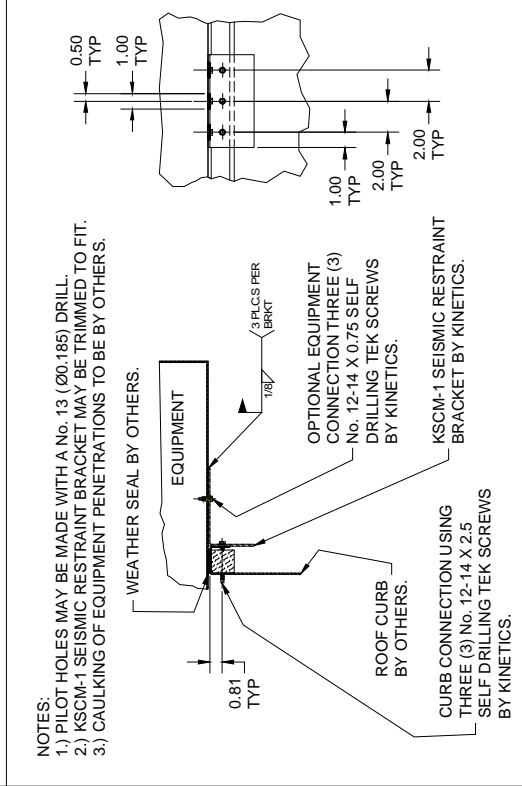
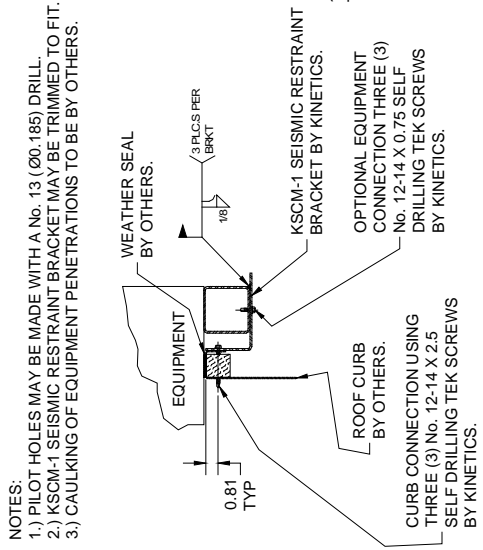
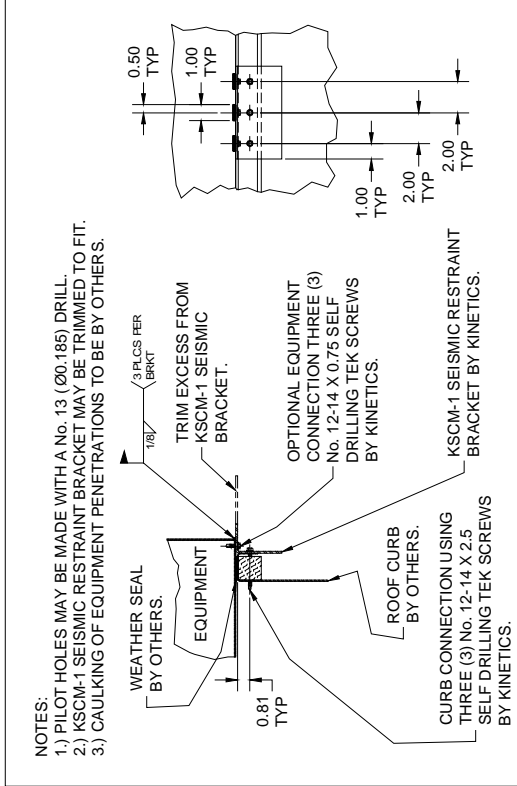
DUBLIN, OHIO, USA • MISSISSAUGA, ONTARIO, CANADA

Toll Free (USA only): 800-959-1229
International: 614-889-0480
Fax: 614-889-0540
World Wide Web: www.kineticsnoise.com
Email: sales@kineticsnoise.com

DOCUMENT:

P1.3.2





NOTES:
 1.) PILOT HOLES MAY BE MADE WITH A No. 13 (Ø0.185) DRILL.
 2.) KSCM-1 SEISMIC RESTRAINT BRACKET MAY BE TRIMMED TO FIT.
 3.) CAULKING OF EQUIPMENT PENETRATIONS TO BE BY OTHERS.

NOTES:
 1.) PILOT HOLES MAY BE MADE WITH A No. 13 (Ø0.185) DRILL.
 2.) KSCM-1 SEISMIC RESTRAINT BRACKET MAY BE TRIMMED TO FIT.
 3.) CAULKING OF EQUIPMENT PENETRATIONS TO BE BY OTHERS.

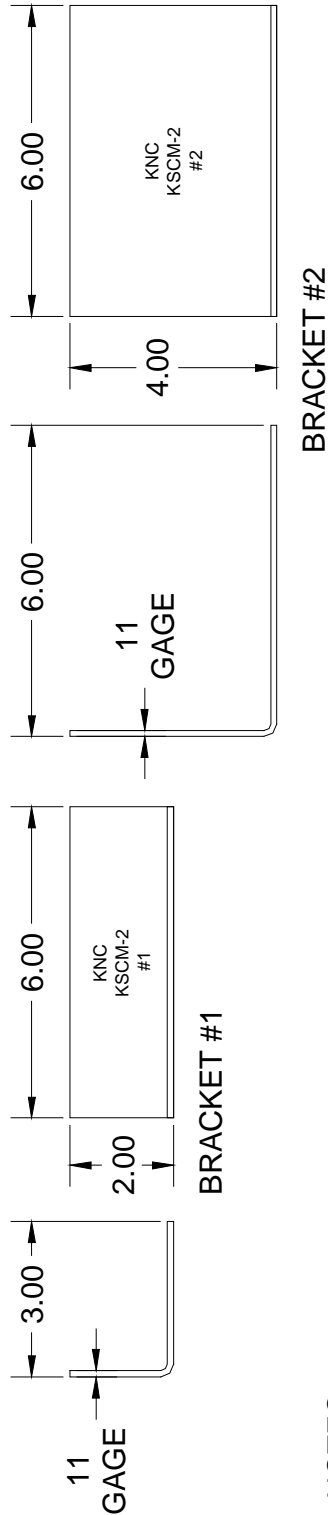
NOTES:
 1.) PILOT HOLES MAY BE MADE WITH A No. 13 (Ø0.185) DRILL.
 2.) KSCM-1 SEISMIC RESTRAINT BRACKET MAY BE TRIMMED TO FIT.
 3.) CAULKING OF EQUIPMENT PENETRATIONS TO BE BY OTHERS.

KSCM-1 MOUNTING KIT (EQUIPMENT TO CURB ATTACHMENT)



Toll Free (USA only): 800-959-1229
 International: 614-889-0480
 Fax: 614-889-0540
 World Wide Web: www.kineticsnoise.com
 Email: sales@kineticsnoise.com

DOCUMENT:
P1.3.2
 VISCMA MEMBER



NOTES:

- 1.) EACH KSCM-2, KINETICS SEISMIC CURB ATTACHMENT BRACKET, KIT IS APPROX. EQUIVALENT TO ONE (1) 1/4-20 SAE GRADE 2 BOLT IN SHEAR.
HORIZONTAL RESTRAINT CAPACITY = 625 LBS.
- 2.) EACH KSCM-2 KIT CONTAINS TWO (2) "L" SHAPED BRACKETS OF DIFFERENT SIZE AS SHOWN ABOVE.
- 3.) AT LEAST ONE (1) KSCM-2 KIT IS REQUIRED FOR EACH SIDE OF THE CURB, SEE DRAWING S-88.071-19B.
- 4.) ATTACHMENT TO THE CURB IS BY THREE (3) No. 12-14 X 2.50 SELF DRILLING TEK SCREWS PER BRACKET.
- 5.) ATTACHMENT OF ONE BRACKET TO THE OTHER MAY BE BY WELD OR THREE (3) No. 12-14 X 0.75 SELF DRILLING TEK SCREWS.
- 6.) ATTACHMENT TO EQUIPMENT MAY BE BY WELD OR THREE (3) No. 12-14 X 0.75 SELF DRILLING TEK SCREWS SEE DRAWINGS S-88.071-19D & S-88.071-19E FOR DETAILS.

KSCM-2 MOUNTING KIT (EQUIPMENT TO CURB ATTACHMENT)

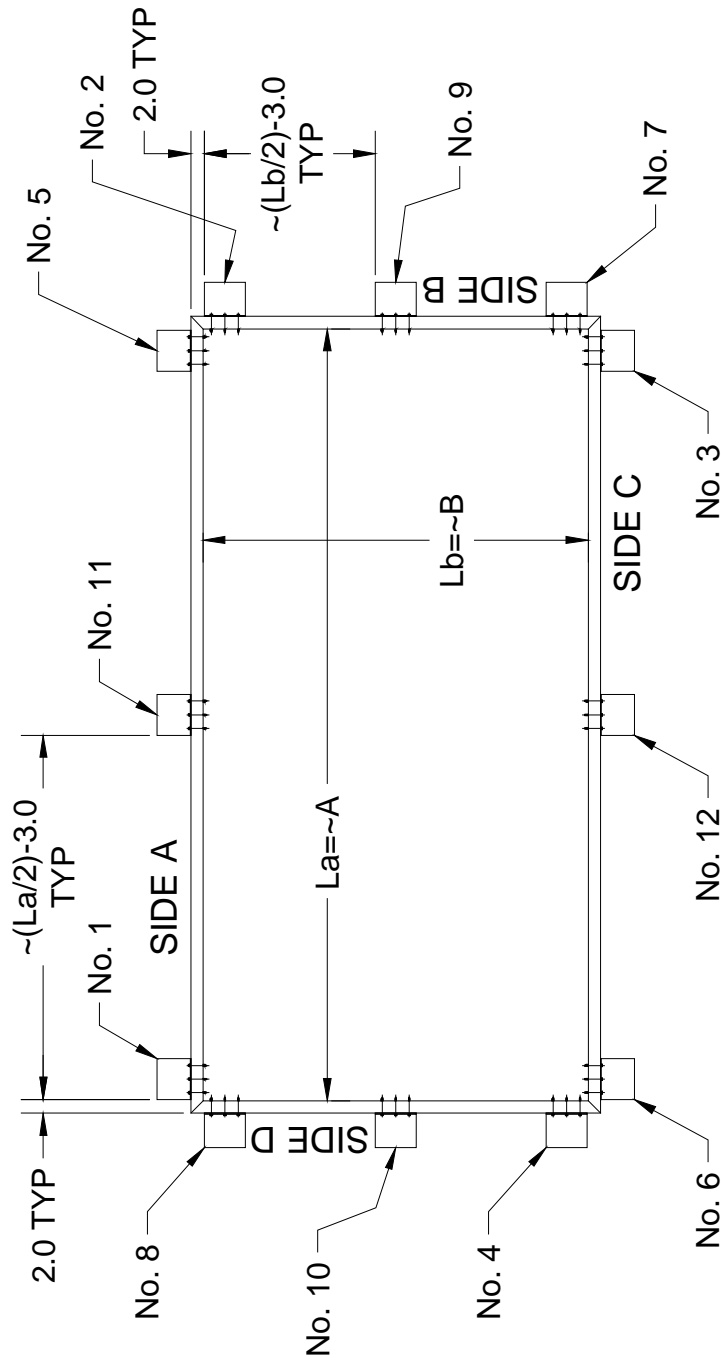
PAGE 1 OF 6 – DRAWING: S-88.071-19A

RELEASE DATE: 5/13/04



Toll Free (USA only): 800-959-1229
 International: 614-889-0480
 Fax: 614-889-0540
 World Wide Web: www.kineticsnoise.com
 Email: sales@kineticsnoise.com

DOCUMENT:
P1.3.3
 VISCMA
 MEMBER



- NOTES:**
- 1.) KSCM-2 SEISMIC RESTRAINT BRKT. KITS (No. 1) THRU (No. 4) ARE REQUIRED FOR EACH CURB INSTALLATION.
 - 2.) ADDITIONAL KSCM-2 RESTRAINT BRKT. KITS MAY BE REQUIRED AS INDICATED BY A KINETICS SEISMIC CERTIFICATION.
 - 3.) ADDITIONAL KSCM-2 RESTRAINT BRKT. KITS ARE TO BE ADDED IN PAIRS (No. 5) & (No. 6); (No. 7) & (No. 8); (No. 9) & (No. 10); AND (No. 11) & (No. 12) AS SHOWN IN THE FIGURE ABOVE.

KSCM-2 MOUNTING KIT (EQUIPMENT TO CURB ATTACHMENT)

PAGE 2 OF 6 – DRAWING: S-88.071-19B

RELEASE DATE: 5/13/04

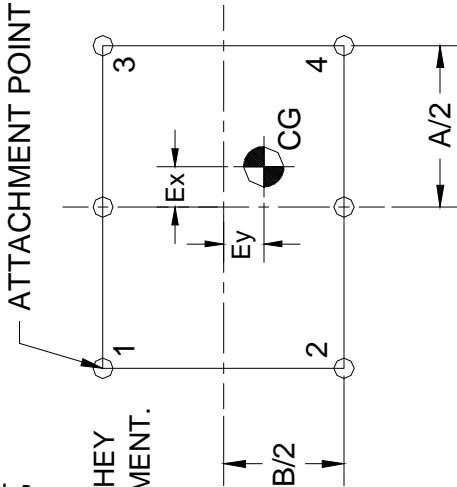


Toll Free (USA only): 800-959-1229
 International: 614-889-0480
 Fax: 614-889-0540
 World Wide Web: www.kineticsnoise.com
 Email: sales@kineticsnoise.com

DOCUMENT:
P1.3.3
 VISCMA
 MEMBER

KSCM-2 SEISMIC RESTRAINT KIT INSTALLATION INSTRUCTIONS:

- 1.) SHOWN AT THE RIGHT IS A COPY OF THE FIGURE THAT APPEARS IN THE TOP LEFT HAND QUADRANT OF THE "KINETICS SEISMIC CERTIFICATION" FOR THE PIECE OF EQUIPMENT TO BE MOUNTED. THE POINTS 1, 2, 3, AND 4 INDICATE THE APPROX. POSITIONS OF THE FIRST KSCM-2 KITS. THEY ARE LOCATED OFF OF THE GEOMETRIC CENTER LINES FOR THE EQUIPMENT. 2.) TYPICALLY (A) IS THE LOCATING DIMENSION ALONG THE LENGTH OF THE EQUIPMENT, AND (B) IS THE LOCATING DIMENSION ACROSS THE WIDTH OF THE EQUIPMENT. THESE DIMENSIONS, AS APPLIED, TO THE KSCM-2 KITS ARE DEFINED IN S-88.071-19B. A WILL BE APPROX. EQUAL TO La, AND B WILL BE APPROX. EQUAL TO Lb AS SHOWN IN S-88.071-19B.
- 3.) THE C.G. LOCATION FOR THE EQUIPMENT IS LOCATED OFF OF THE GEOMETRIC CENTER OF THE EQUIPMENT BY (Ex) ALONG THE LENGTH OF THE EQUIPMENT, AND (Ey) ACROSS THE WIDTH OF THE EQUIPMENT.
- 4.) MEASURE AND MARK THE LOCATIONS OF THE KSCM-2 RESTRAINT KITS ON THE CURB USING S-88.071-19B AS A GUIDE. THERE MUST BE AT LEAST ONE KSCM-2 KIT FOR EACH SIDE OF THE CURB. WHEN LOCATED ACCORDING TO S-88.071-19B, THE KSCM-2 SEISMIC BRACKET KITS WILL ALLOW THE OPTIMUM LOAD DISTRIBUTION IN ALL SIDES OF THE CURB.
- 5.) DEPENDING ON THE CONSTRUCTION OF THE EQUIPMENT THE KSCM-2 KITS MAY BE INSTALLED BEFORE OR AFTER THE EQUIPMENT IS SET IN PLACE, SEE S-88.071-19D & S-88.071-19E FOR EXAMPLES. IN SOME CASES, ONE OF THE KSCM-2 BRACKETS MUST BE INSTALLED BEFORE THE EQUIPMENT IS SET IN PLACE. THE CONSTRUCTION OF THE EQUIPMENT MUST BE KNOWN AND STUDIED BEFORE SETTING THE TO ENSURE PROPER INSTALLATION OF THE KSCM-2 BRACKETS.
- 6.) ATTACHMENT OF THE KSCM-2 BRACKET TO THE CURB IS ACCOMPLISHED WITH THE THREE (3) No. 12-14 X 2.50 SELF-DRILLING TEK SCREWS. **TO BE EFFECTIVE, THE THREADED PORTION OF THESE SCREWS MUST PASS THROUGH THE WOODEN NAILER, AND THE SHEET METAL OF THE CURB SIDE WALL!**



CONTINUED ON S-88.071-19C SHT 2.

KSCM-2 MOUNTING KIT (EQUIPMENT TO CURB ATTACHMENT)



DUBLIN, OHIO, USA • MISSISSAUGA, ONTARIO, CANADA

Toll Free (USA only): 800-959-1229
 International: 614-889-0480
 Fax: 614-889-0540
 World Wide Web: www.kineticsnoise.com
 Email: sales@kineticsnoise.com

DOCUMENT:
P1.3.3
 VISCMA MEMBER

KSCM-2 SEISMIC RESTRAINT KIT INSTALLATION INSTRUCTIONS CONT'D:

- 7.) WHEN ATTACHING THE TWO KSCM-2 BRACKETS TOGETHER, USE **THREE (3) No. 12-14 X 0.75 SELF-DRILLING TEK SCREWS**. OPTIONAL ATTACHEMENT MAY BE MADE WITH **THREE (3) 1/8 X 1.0 WELDS**. SEE S-88.071-19D & S-88.071-19E FOR DETAILED EXAMPLES.
- 8.) THE EQUIPMENT ATTACHMENT IS MADE WITH **THREE (3) No. 12-14 X 0.75 SELF DRILLING TEK SCREWS**. OPTIONAL ATTACHMENT IS MADE BY **THREE (3) 1/8 X 1.0 WELDS**. SEE S-88.071-19D & S-88.071-19E FOR DETAILED EXAMPLES.
- 9.) SEAL ALL EQUIPMENT PENETRATIONS WITH A GOOD RTV CAULKING COMPOUND, BY OTHERS.
- 10.) **WARNING:** WHEN ATTACHING TO EQUIPMENT USING SELF DRILLING TEK SCREWS, BE SURE THAT ELECTRICAL & CONTROL WIRES & CONDUITS, AND FLUIDS HOSES ARE NOT IN THE PATHS OF THE TEK SCREWS!
- 11.) **CAUTION:** DO NOT BLOCK EQUIPMENT ACCESS & MAINTENANCE DOORS WITH KSCM-2 BRACKETS!

KSCM-2 MOUNTING KIT (EQUIPMENT TO CURB ATTACHMENT)

PAGE 4 OF 6 – DRAWING: S-88.071-19C SHEET 2

RELEASE DATE: 5/13/04



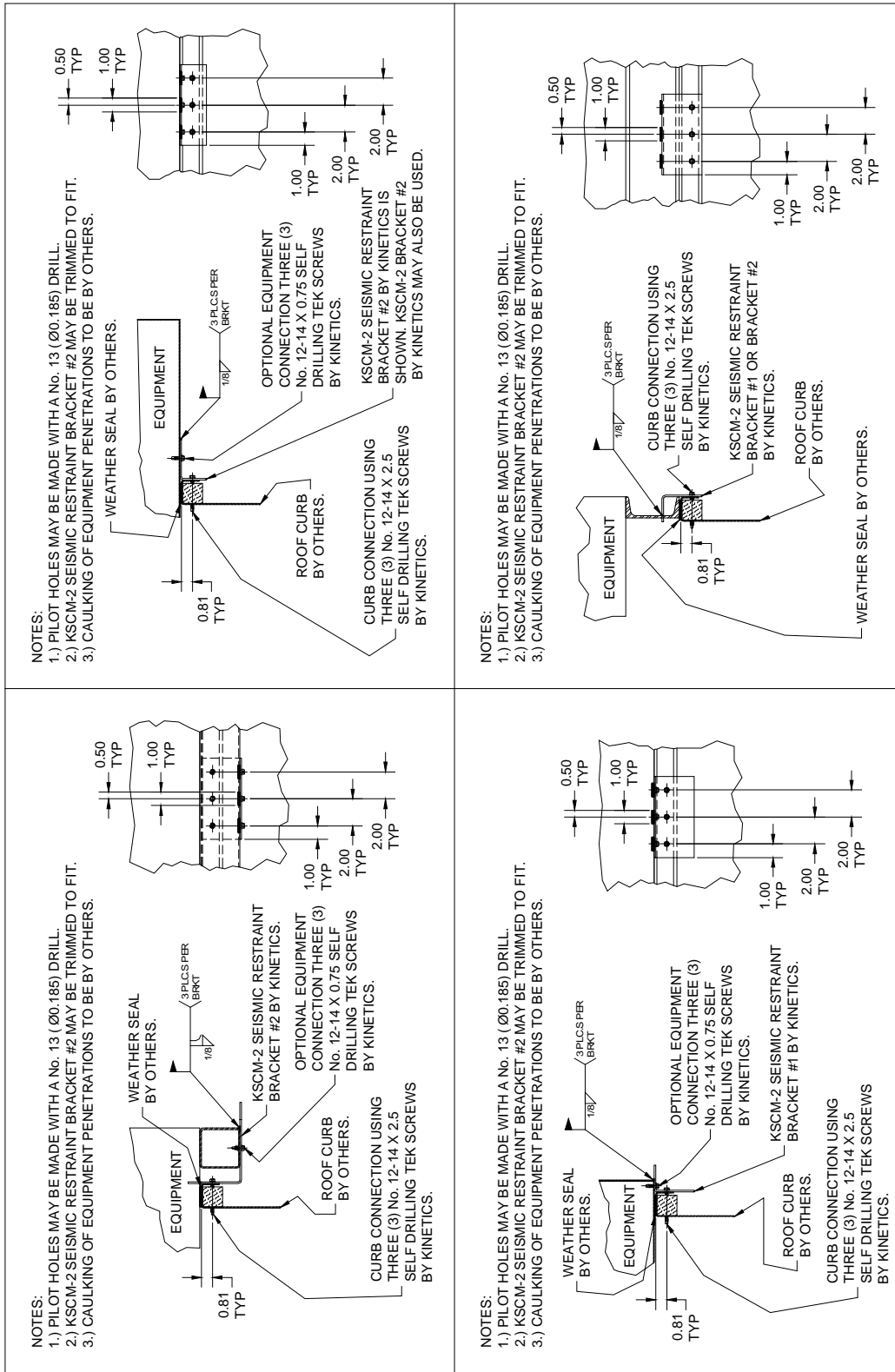
DUBLIN, OHIO, USA • MISSISSAUGA, ONTARIO, CANADA

Toll Free (USA only): 800-959-1229
International: 614-889-0480
Fax: 614-889-0540
World Wide Web: www.kineticsnoise.com
Email: sales@kineticsnoise.com

DOCUMENT:

P1.3.3



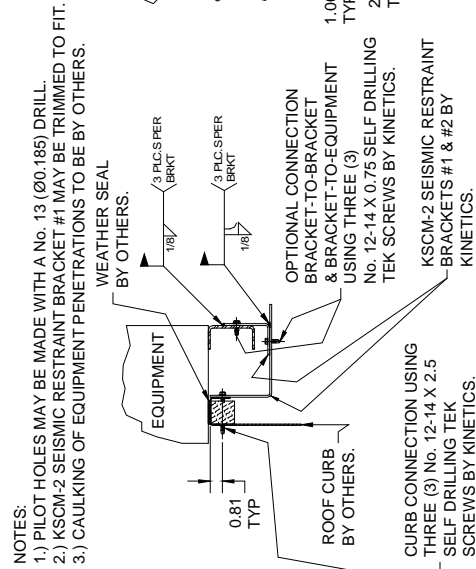
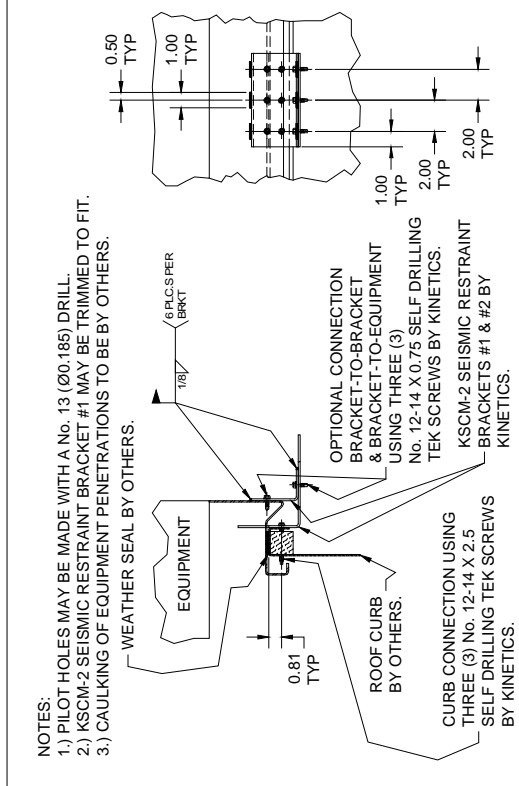
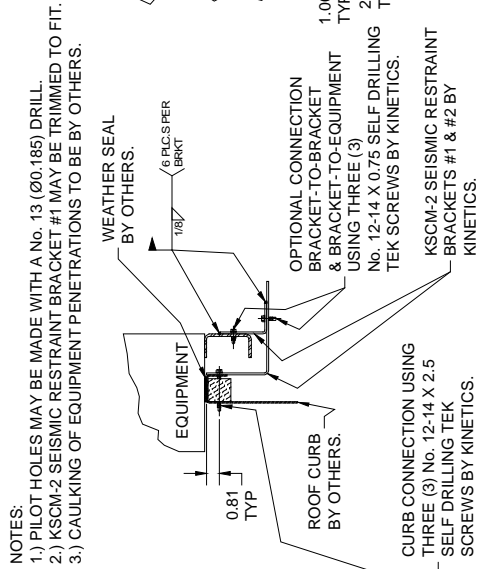
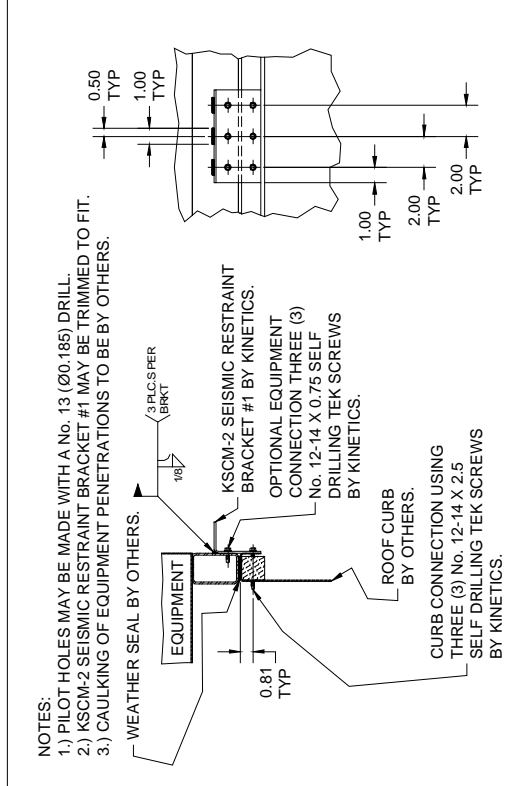


KSCM-2 MOUNTING KIT (EQUIPMENT TO CURB ATTACHMENT)



Toll Free (USA only): 800-959-1229
 International: 614-889-0480
 Fax: 614-889-0540
 World Wide Web: www.kineticsnoise.com
 Email: sales@kineticsnoise.com

DOCUMENT:
P1.3.3
 VISCMA MEMBER



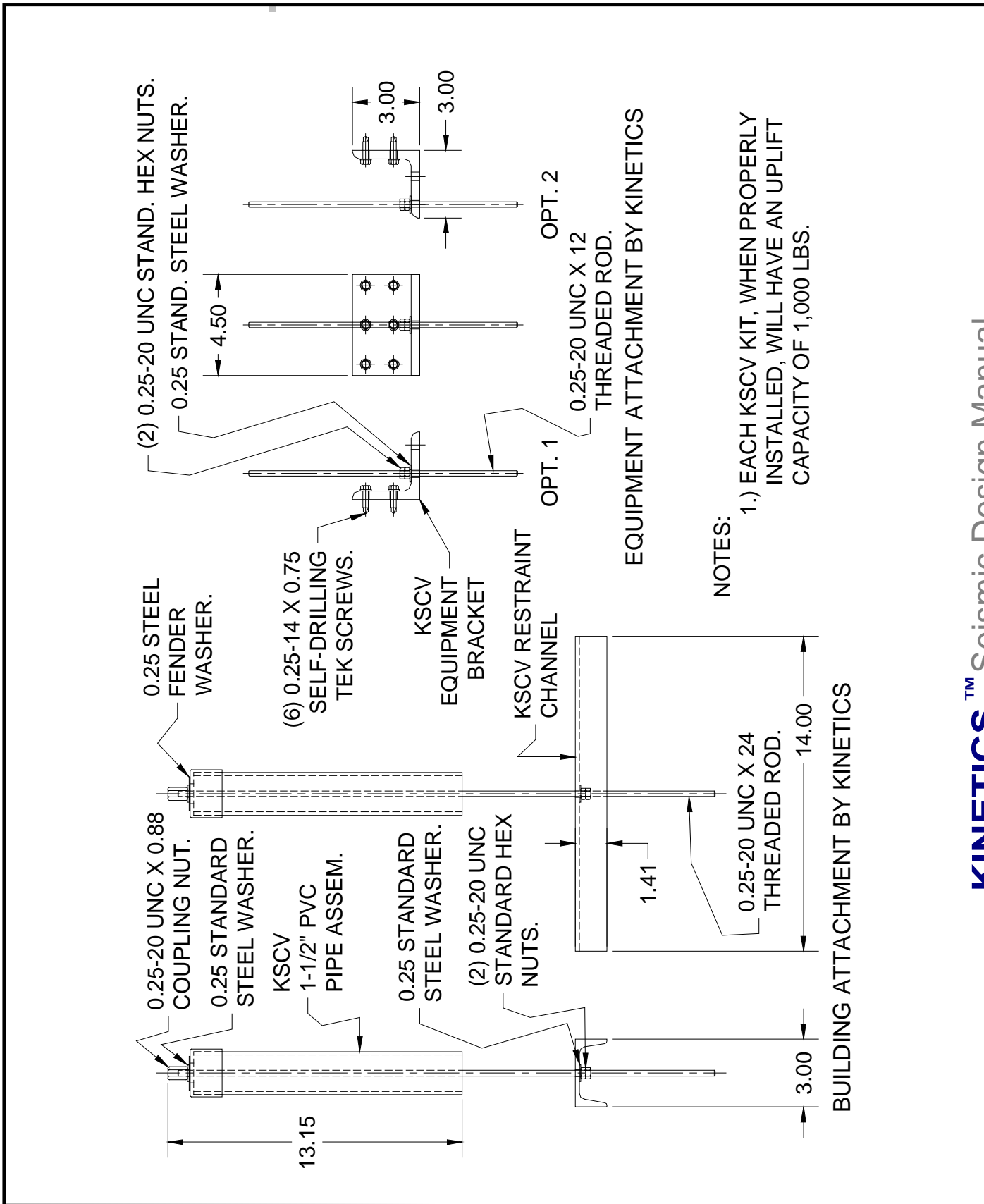
KSCM-2 MOUNTING KIT (EQUIPMENT TO CURB ATTACHMENT)



DUBLIN, OHIO, USA • MISSISSAUGA, ONTARIO, CANADA

Toll Free (USA only): 800-959-1229
 International: 614-889-0480
 Fax: 614-889-0540
 World Wide Web: www.kineticsnoise.com
 Email: sales@kineticsnoise.com

DOCUMENT:
P1.3.3
 VISCMA MEMBER



BUILDING ATTACHMENT BY KINETICS

EQUIPMENT ATTACHMENT BY KINETICS

NOTES:

- 1.) EACH KSCV KIT, WHEN PROPERLY INSTALLED, WILL HAVE AN UPLIFT CAPACITY OF 1,000 LBS.

KSCV SEISMIC & WIND VERTICAL RESTRAINT

PAGE 1 OF 7 – DRAWING: S-88.071-20A

RELEASE DATE: 5/13/04

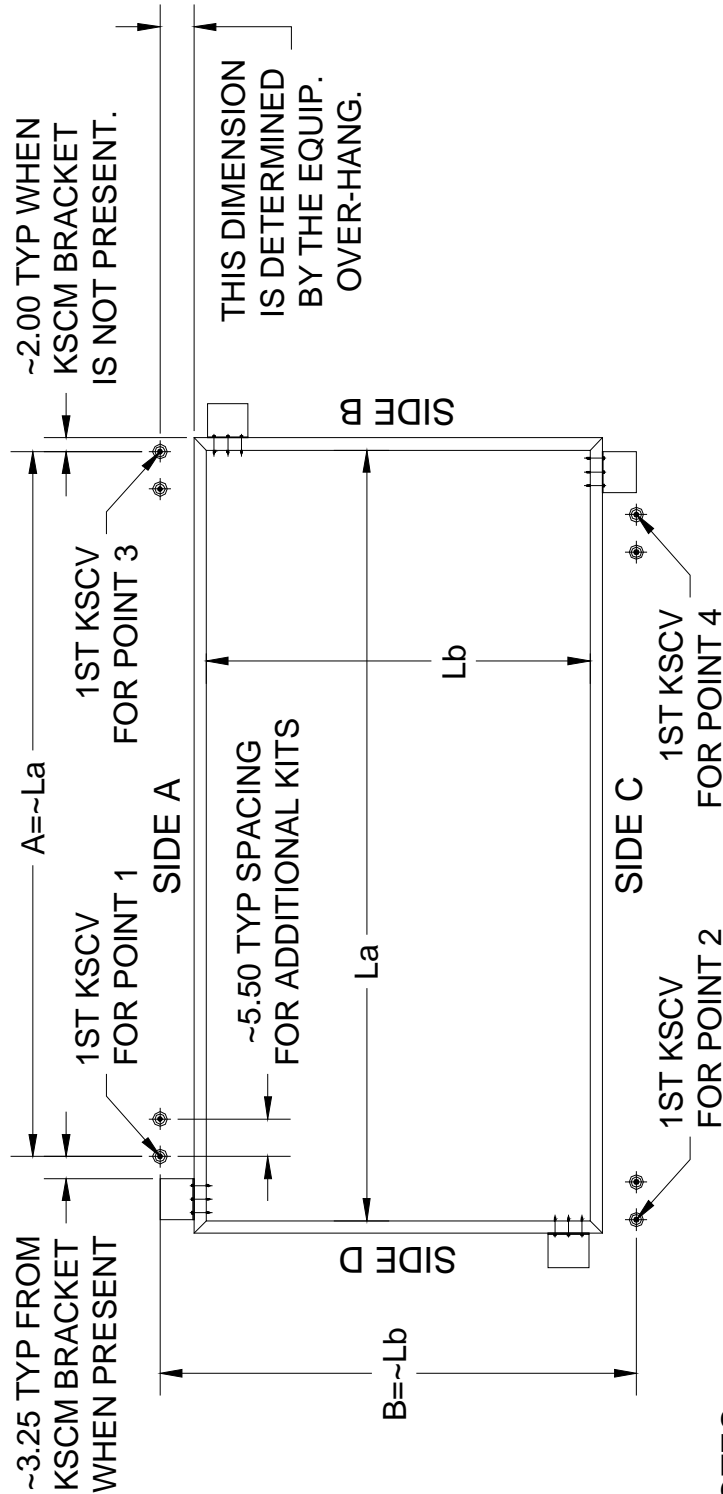
KINETICS
Noise Control

DUBLIN, OHIO, USA • MISSISSAUGA, ONTARIO, CANADA

Toll Free (USA only): 800-959-1229
 International: 614-889-0480
 Fax: 614-889-0540
 World Wide Web: www.kineticsnoise.com
 Email: sales@kineticsnoise.com

DOCUMENT:
P1.3.4

VISCMA
MEMBER



NOTES:

- 1.) A MINIMUM OF FOUR (4) KSCV VERTICAL SEISMIC & WIND RESTRAINT KITS ARE PER CURB WHEN INDICATED BY A KINETICS SEISMIC OR WIND CERTIFICATION.
- 2.) ADDITIONAL KSCV VERTICAL RESTRAINT KITS MAY BE REQUIRED AS INDICATED BY A KINETICS SEISMIC OR WIND CERTIFICATION.
- 3.) ADDITIONAL KSCV KITS MUST BE ADDED IN SETS OF FOUR (4). EACH ADDITIONAL KIT MAY BE INSTALLED IMMEDIATELY ADJACENT TO THE PREVIOUS KIT AT EACH CORNER POINT. MAINTAIN 1.00 INCH CLEARANCE BETWEEN KSCV EQUIPMENT BRACKETS.

KSCV SEISMIC & WIND VERTICAL RESTRAINT

PAGE 2 OF 7 – DRAWING: S-88.071-20B

RELEASE DATE: 5/13/04

KINETICS
Noise Control

DUBLIN, OHIO, USA • MISSISSAUGA, ONTARIO, CANADA

Toll Free (USA only): 800-959-1229
 International: 614-889-0480
 Fax: 614-889-0540
 World Wide Web: www.kineticsnoise.com
 Email: sales@kineticsnoise.com

DOCUMENT:
P1.3.4

VISCMA
MEMBER

KSCV SEISMIC & WIND VERTICAL RESTRAINT INSTRUCTIONS:

- 1.) SHOWN AT THE RIGHT IS A COPY OF THE FIGURE THAT APPEARS IN THE TOP LEFT HAND QUADRANT OF THE "KINETICS SEISMIC CERTIFICATION" FOR THE PIECE OF EQUIPMENT TO BE MOUNTED. THE POINTS 1, 2, 3, AND 4 INDICATE THE APPROX. POSITIONS OF THE FIRST KSCV KITS. THEY ARE LOCATED OFF OF THE GEOMETRIC CENTER LINES FOR THE EQUIPMENT.

The diagram illustrates the placement of four attachment points (1, 2, 3, 4) on a rectangular equipment footprint. The center of gravity (CG) is marked. Dimension B/2 represents the width, and A/2 represents the height. Horizontal offsets Ex and vertical offsets Ey are shown relative to the center lines.
- 2.) TYPICALLY (A) IS THE LOCATING DIMENSION ALONG THE LENGTH OF THE EQUIPMENT, AND (B) IS THE LOCATING DIMENSION ACROSS THE WIDTH OF THE EQUIPMENT. THESE DIMENSIONS, AS APPLIED, TO THE KSCV RESTRAINTS ARE DEFINED IN S-88.071-20B. A WILL BE APPROX. EQUAL TO La, AND B WILL BE APPROX. EQUAL TO Lb. ACTUAL VARIATIONS OF 10% TO 15% MAY BE EASILY TOLERATED.
- 3.) THE C.G. LOCATION FOR THE EQUIPMENT IS LOCATED OFF OF THE GEOMETRIC CENTER OF THE EQUIPMENT BY (Ex) ALONG THE LENGTH OF THE EQUIPMENT, AND (Ey) ACROSS THE WIDTH OF THE EQUIPMENT.
- 4.) LOCATE THE POSITIONS OF THE REQUIRED KSCV BUILDING ATTACHMENT COMPONENTS RELATIVE TO THE CURB AND EXPECTED EQUIPMENT OVER-HANGS **BEFORE** THE INSULATION AND ROOF SYSTEM ARE INSTALLED. POSITIONS OF KSCV'S MAY BE MODIFIED TO AVOID STRUCTURAL SUPPORT STEEL.
- 5.) DRILL CLEARANCE HOLES THROUGH THE ROOF STRUCTURE FOR THE 0.25-20 UNC THREADED RODS. CLEARANCE HOLES MAY BE Ø.31 TO Ø0.50 INCHES. THE LARGER CLEARANCE HOLES WILL ALLOW MORE LATITUDE FOR ADJUSTMENT AT FINAL ASSEMBLY.
- 6.) ESTIMATE THE THICKNESS OF THE INSULATION, ROOFING SYSTEM, AND BOOT OR FLASHING. IF NECESSARY, TRIM THE KSCV PIPE ASSEMBLY SO THAT THE PIPE CAP CLEARS THE BOOT OR FLASHING LEAVING ENOUGH ROOM TO SEAL THE JOINT.
- 7.) THREAD THE COUPLING NUT **NINE (9) TURNS** ONTO ONE END OF THE 0.25-20 UNC X 24 THREADED ROD. USE A THREAD LOCKING ADHESIVE, BY OTHERS, TO LOCK THE COUPLING NUT TO THE THREADED ROD. CONTINUED ON S-88.071-20C SHT 2.

KSCV SEISMIC & WIND VERTICAL RESTRAINT

PAGE 3 OF 7 – DRAWING: S-88.071-20C SHEET 1

RELEASE DATE: 5/13/04



DUBLIN, OHIO, USA • MISSISSAUGA, ONTARIO, CANADA

Toll Free (USA only): 800-959-1229
 International: 614-889-0480
 Fax: 614-889-0540
 World Wide Web: www.kineticsnoise.com
 Email: sales@kineticsnoise.com

DOCUMENT:

P1.3.4



KSCV SEISMIC & WIND VERTICAL RESTRAINT INSTRUCTIONS CONT'D:

- 8.) PLACE ON THE 0.25-20 UNC X 24 TREADED ROD A STANDARD 0.25 WASHER, AND THE 0.25 FENDER WASHER. THE FENDER WASHER MUST BEAR AGAINST THE KSCV PIPE ASSEMBLY, PER S-88.071 -20A.
 - 9.) FEED THE 0.25-20 UNC X 24 TREADED ROD THROUGH THE KSCV PIPE ASSEMBLY SO THAT THE FENDER WASHER BEARS AGAINST THE PIPE CAP IN THE KSCV PIPE ASSEMBLY, SEE S-88.071-20A.
 - 10.) SEAL THE JOINT BETWEEN THE KSCV PIPE ASSEMBLY AND THE TREADED ROD WITH A GOOD RTV TYPE CAULKING COMPOUND, BY OTHERS. CAULKING MATERIAL SHOULD BE USED BETWEEN THE COUPLING NUT AND STANDARD WASHER, BETWEEN THE STANDARD WASHER AND FENDER WASHER, AND BETWEEN THE FENDER WASHER AND PIPE CAP ON THE KSCV PIPE ASSEMBLY.
 - 11.) FEED THE TREADED ROD THROUGH THE CLEARANCE HOLE IN THE ROOF STRUCTURE UNTIL THE KSCV PIPE ASSEMBLY SITS FLUSH ON THE ROOF STRUCTURE. CORRUGATED ROOF STRUCTURES MAY NEED TO BE BRIDGED AS SHOWN IN S-88.071-20D.
 - 12.) FEED THE KSCV RESTRAINT CHANNEL ONTO THE TREADED ROD, AND SECURE USING A 0.25 WASHER AND TWO 0.25-20 UNC NUTS AS SHOWN IN S-88.071-20D. THE KSCV ROOF BRACKET MAY BRIDGE ANY CORRUGATIONS IN THE ROOF STRUCTURE, OR IT MAY SIT IN A TROUGH, OR ON A CREST OF ANY CORRUGATIONS IN THE ROOF STRUCTURE.
 - 13.) SEAL THE JOINT BETWEEN THE KSCV PIPE ASSEMBLY AND THE ROOF STRUCTURE WITH A GOOD RTV CAULKING MATERIAL, BY OTHERS. ALSO SEAL ANY PENETRATIONS IN THE ROOF STRUCTURE THAT WERE MADE BY FASTENERS USED TO ATTACH SHEET METAL BRIDGING MATERIAL WITH THE SAME RTV CAULKING MATERIAL, BY OTHERS.
 - 14.) AFTER THE EQUIPMENT HAS BEEN PLACED, THREAD THE 0.25-20 UNC X 12 THREAD ROD INTO THE TOP OF THE COUPLING NUT UNTIL IT BOTTOMS OUT. THE TREADED ROD MAY NOW BE USED TO HELP LOCATE THE KSCV EQUIPMENT BRACKET TO THE EQUIPMENT.
 - 15.) LOCATE AND ATTACH THE KSCV EQUIPMENT BRACKET TO THE SIDE OF THE EQUIPMENT IN A MANNER SIMILAR TO THE EXAMPLES SHOWN IN S-88.071-20E. **DO NOT BLOCK EQUIPMENT ACCESS AND MAINTENANCE DOORS WITH THE KSCV EQUIPMENT BRACKET.**
- CONTINUED ON S-88.071-20C SHT3.

KSCV SEISMIC & WIND VERTICAL RESTRAINT

PAGE 4 OF 7 – DRAWING: S-88.071-20C SHEET 2

RELEASE DATE: 5/13/04



DUBLIN, OHIO, USA • MISSISSAUGA, ONTARIO, CANADA

Toll Free (USA only): 800-959-1229
International: 614-889-0480
Fax: 614-889-0540
World Wide Web: www.kineticsnoise.com
Email: sales@kineticsnoise.com

DOCUMENT:

P1.3.4



KSCV SEISMIC & WIND VERTICAL RESTRAINT INSTRUCTIONS CONT'D:

- 16.) WITH THE 0.25-20 UNC X 12 THREADED ROD IN THE APPROPRIATE HOLE IN THE KSCV EQUIPMENT BRACKET INSTALL THE STANDARD 0.25 WASHER AND TWO (2) 0.25-20 UNC NUTS AS SHOWN IN S-88.071-20E. SLIGHT MISALIGNMENTS MAY BE ACCOMODATED BY BENDING THE TWO THREADED RODS UNTIL CONTACT IS MADE WITH THE HOLE IN THE TOP OF THE KSCV PIPE ASSEMBLY.
- 17.) SEAL ANY PENETRATIONS IN THE EQUIPMENT MADE DURING THE ATTACHMENT OF THE KSCV EQUIPMENT BRACKET WITH CAULKING COMPOUND, BY OTHERS.
- 18.) RE-SEAL THE JOINT BETWEEN THE THREADED ROD AND THE TOP OF THE KSCV PIPE ASSEMBLY WITH RTV CAULKING COMPOUND.
- 19.) IF NECESSARY, RE-SEAL THE JOINT BETWEEN THE KSCV PIPE ASSEMBLY AND THE BOOT OR FLASHING.

KSCV SEISMIC & WIND VERTICAL RESTRAINT

PAGE 5 OF 7 – DRAWING: S-88.071-20C SHEET 3

RELEASE DATE: 5/13/04



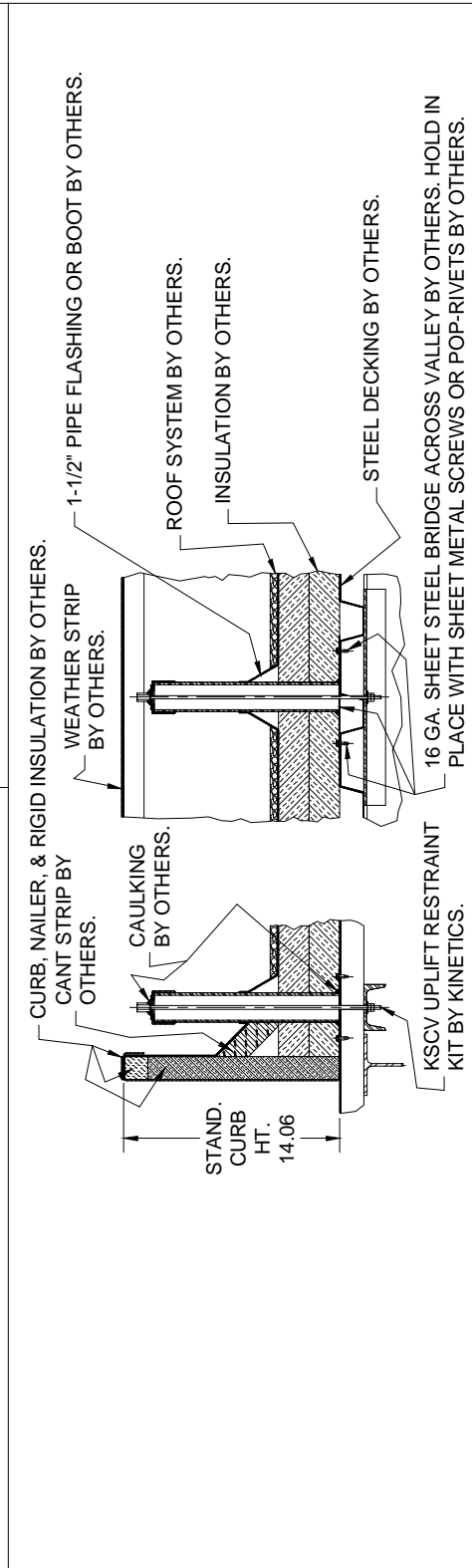
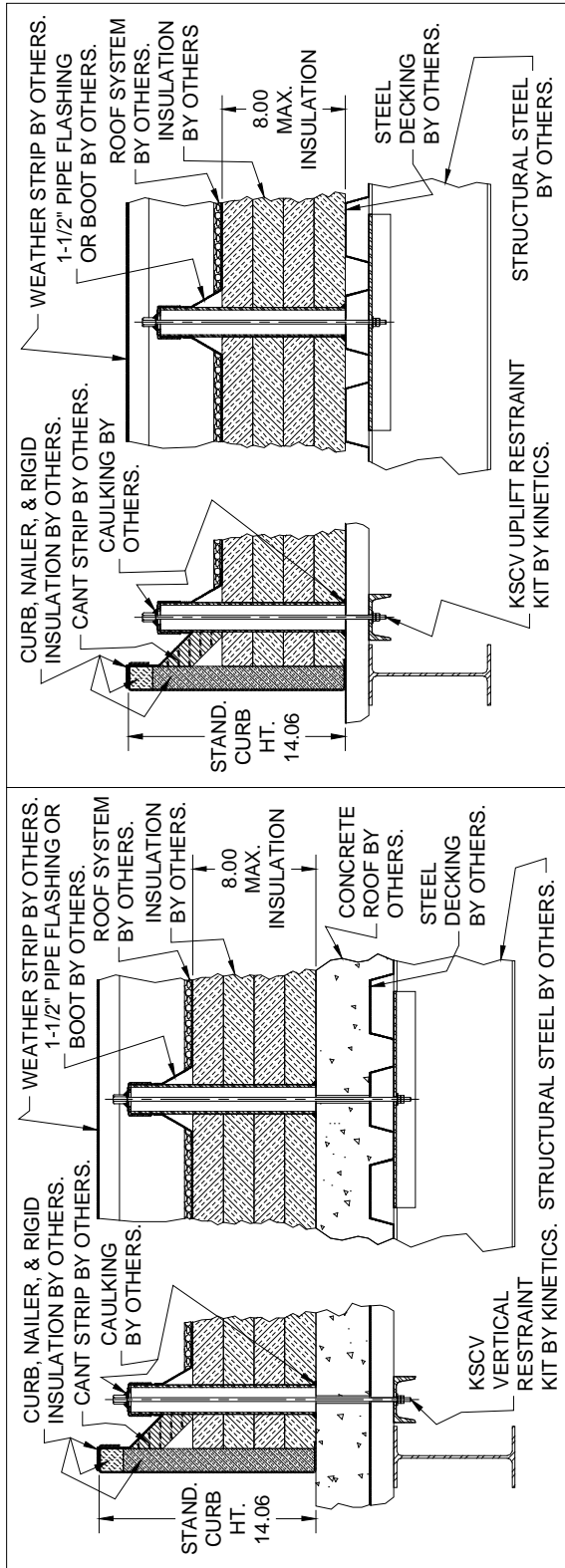
DUBLIN, OHIO, USA • MISSISSAUGA, ONTARIO, CANADA

Toll Free (USA only): 800-959-1229
International: 614-889-0480
Fax: 614-889-0540
World Wide Web: www.kineticsnoise.com
Email: sales@kineticsnoise.com

DOCUMENT:

P1.3.4





KSCV SEISMIC & WIND VERTICAL RESTRAINT

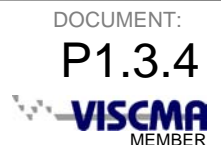
PAGE 6 OF 7 – DRAWING: S-88.071-20D

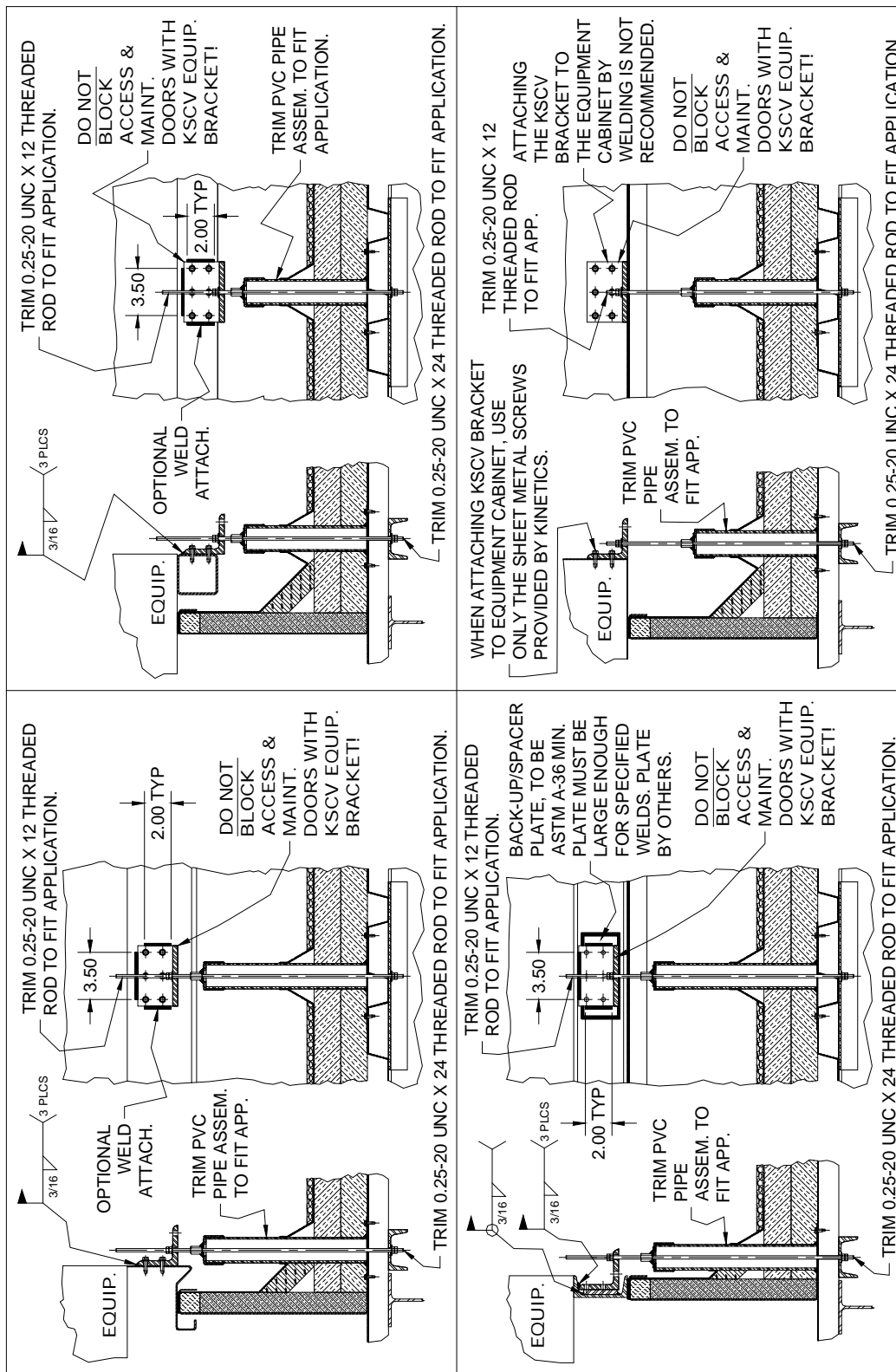
RELEASE DATE: 5/13/04



DUBLIN, OHIO, USA • MISSISSAUGA, ONTARIO, CANADA

Toll Free (USA only): 800-959-1229
 International: 614-889-0480
 Fax: 614-889-0540
 World Wide Web: www.kineticsnoise.com
 Email: sales@kineticsnoise.com





KSCV SEISMIC & WIND VERTICAL RESTRAINT



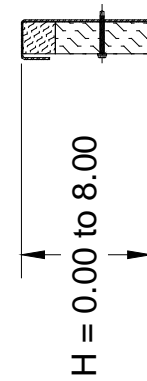
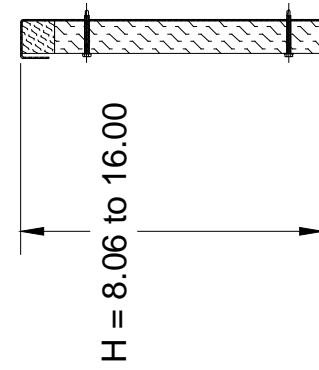
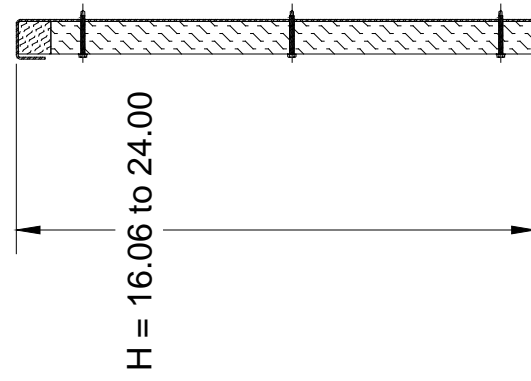
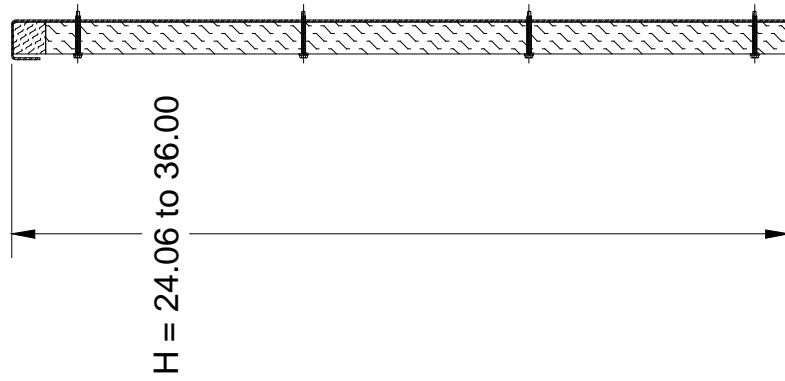
Toll Free (USA only): 800-959-1229
 International: 614-889-0480
 Fax: 614-889-0540
 World Wide Web: www.kineticsnoise.com
 Email: sales@kineticsnoise.com

DOCUMENT:
P1.3.4
 VISCMA MEMBER

APPLICABLE CURB HEIGHT RANGE INCLUSIVE (H) (in.)	NUMBER OF VERTICAL REINFORCEMENTS PER KIT	NUMBER OF No. 10-16 X 2 SELF-DRILLING TEK SCREWS PER REINFORCEMENT
0.00 to 8.00	4	1
8.06 TO 16.00	3	2
16.06 to 24.00	2	3
24.06 to 36.00	1	4

NOTES:

- 1.) EACH KSVR KIT CONTAINS ONE (1) TREATED WOOD 2" X 2" X 48" LONG AND EIGHT (8) No. 10-16 X 2 SELF-DRILLING TEK SCREWS.
- 2.) FOR THE REQUIRED NUMBER OF VERTICAL REINFORCEMENTS FOR EACH CURB WALL AND EACH CURB, SEE THE KINETICS SEISMIC & WIND CERTIFICATION FOR THE CURB IN QUESTION.



KSVR SEISMIC CURB WALL REINFORCEMENT

PAGE 1 OF 3 – DRAWING: S-88.071-21A

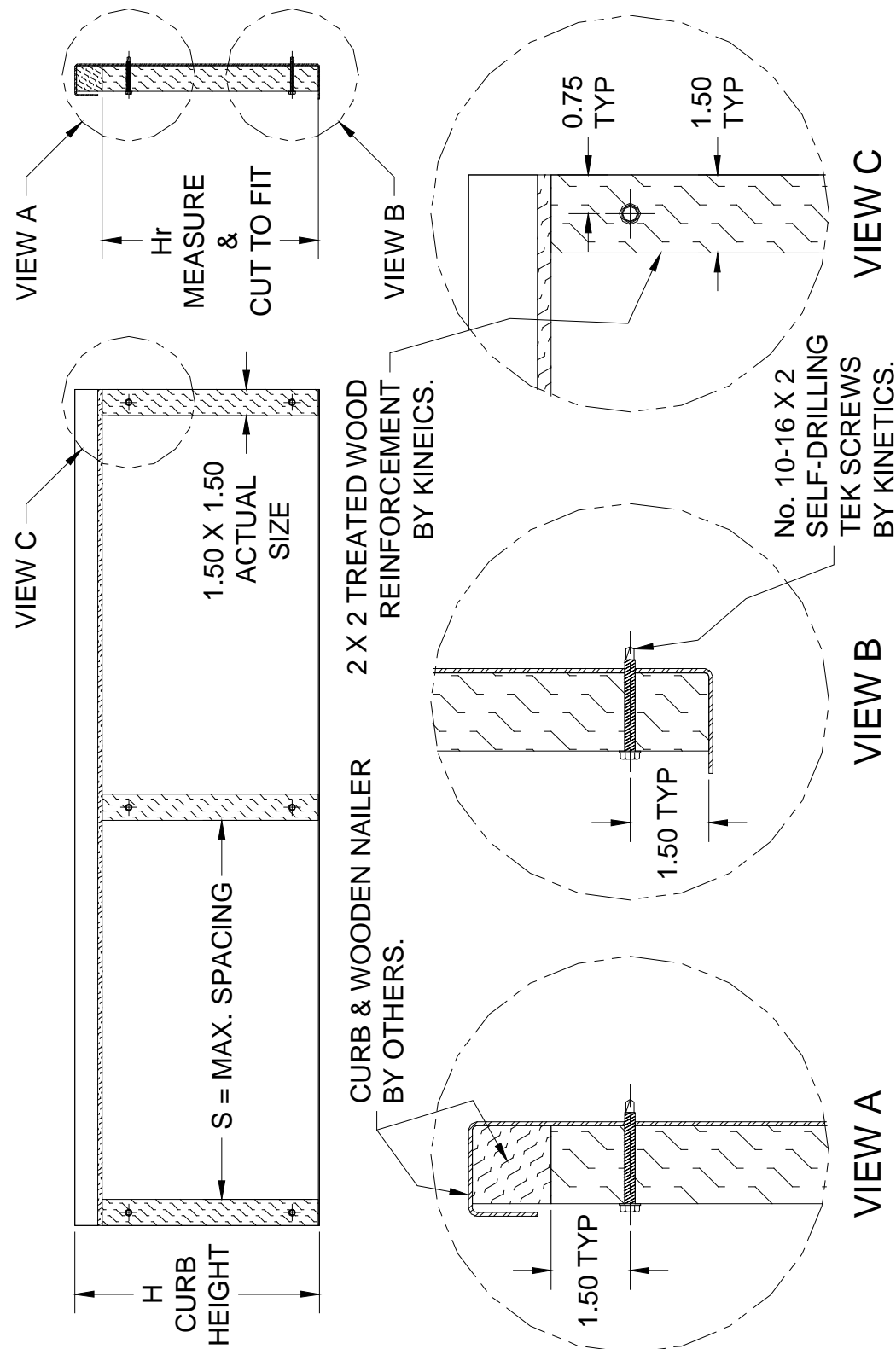
RELEASE DATE: 5/13/04



Toll Free (USA only): 800-959-1229
 International: 614-889-0480
 Fax: 614-889-0540
 World Wide Web: www.kineticsnoise.com
 Email: sales@kineticsnoise.com

DOCUMENT:
P1.3.5
 VISCMA MEMBER

DUBLIN, OHIO, USA • MISSISSAUGA, ONTARIO, CANADA



KSVR SEISMIC CURB WALL REINFORCEMENT

PAGE 2 OF 3 – DRAWING: S-88.071-21B

RELEASE DATE: 5/13/04



Toll Free (USA only): 800-959-1229
 International: 614-889-0480
 Fax: 614-889-0540
 World Wide Web: www.kineticsnoise.com
 Email: sales@kineticsnoise.com

DOCUMENT:
P1.3.5
 VISCMA
 MEMBER

KSVR CURB WALL VERTICAL REINFORCEMENT KIT INSTRUCTIONS:

- 1.) MARK THE LOCATIONS FOR THE VERTICAL REINFORCEMENTS ON THE CURB WALLS ACCORDING TO THE KINETICS SEISMIC & WIND CERTIFICATION AND S-88.071-21B. THE MINIMUM NUMBER OF VERTICAL REINFORCEMENTS PER SIDE IS THREE (3). ONE (1) LOCATED ON EACH END OF THE CURB WALL AND ONE (1) AT APPROXIMATELY THE CENTER OF THE CURB WALL. IF MORE THAN THREE (3) VERTICAL REINFORCEMENTS ARE REQUIRED PER SIDE, ONE (1) REINFORCEMENT GOES AT EACH END OF THE CURB WALL AND THE REST ARE MORE-OR-LESS EQUALLY DISTRIBUTED ALONG THE CURB WALL AT A SPACING EQUAL TO (S) FROM THE KINETICS SEISMIC & WIND CERTIFICATION. THE SPACING BETWEEN ADJACENT VERTICAL REINFORCEMENTS MAY BE VARIED SLIGHTLY TO MISS THE CURB ATTACHMENTS TO THE ROOF.
- 2.) MEASURE AND CUT THE VERTICAL REINFORCEMENT FOR EACH LOCATION. THE FIT OF THE VERTICAL REINFORCEMENT BETWEEN THE NAILER AND THE FOOT OF THE CURB MUST BE SNUG. THE PURPOSE OF THE VERTICAL REINFORCEMENT IS TO CARRY MOST OR ALL OF THE VERTICAL LOADS ACTING DOWNWARD ON THE CURB WALLS.
- 3.) ATTACH THE VERTICAL REINFORCEMENT TO THE CURB WALL USING THE No. 10-16 X 2 SELF-DRILLING TEK SCREWS PROVIDED IN THE KSCR KIT. THE NUMBER OF SCREWS REQUIRED FOR EACH REINFORCEMENT IS DEFINED BY S-88.071-21A. WHEN ONLY ONE (1) SCREW IS REQUIRED PER VERTICAL REINFORCEMENT, IT SHOULD BE PLACED IN THE CENTER OF THE REINFORCEMENT AS SHOWN ON S-88.071-21A. WHEN TWO (2) OR MORE SCREWS ARE REQUIRED FOR EACH VERTICAL REINFORCEMENT, AS SHOWN ON S-88.071-21A, THE TOP MOST AND BOTTOM MOST SHOULD BE 1.50 INCHES FROM THE ENDS OF THE VERTICAL REINFORCEMENT. WHEN MORE THAN TWO (2) SCREWS ARE REQUIRED PER VERTICAL REINFORCEMENT, THEY SHOULD BE EVENLY DISTRIBUTED BETWEEN THE TOP MOST, AND BOTTOM MOST SCREWS. THE HEADS OF THESE SCREWS MAY BE DRIVEN INTO THE VERTICAL REINFORCEMENT SLIGHTLY TO MAKE AN EASIER SURFACE TO FLASH OVER. **DO NOT DRIVE THE SCREW HEAD IN FAR ENOUGH TO SPLIT THE VERTICAL REINFORCEMENT!**

KSVR SEISMIC CURB WALL REINFORCEMENT

PAGE 3 OF 3 – DRAWING: S-88.071-21C

RELEASE DATE: 5/13/04



DUBLIN, OHIO, USA • MISSISSAUGA, ONTARIO, CANADA

Toll Free (USA only): 800-959-1229
International: 614-889-0480
Fax: 614-889-0540
World Wide Web: www.kineticsnoise.com
Email: sales@kineticsnoise.com

DOCUMENT:

P1.3.5

