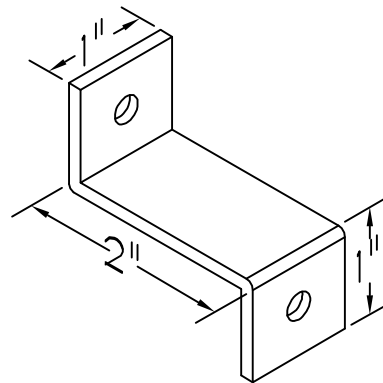
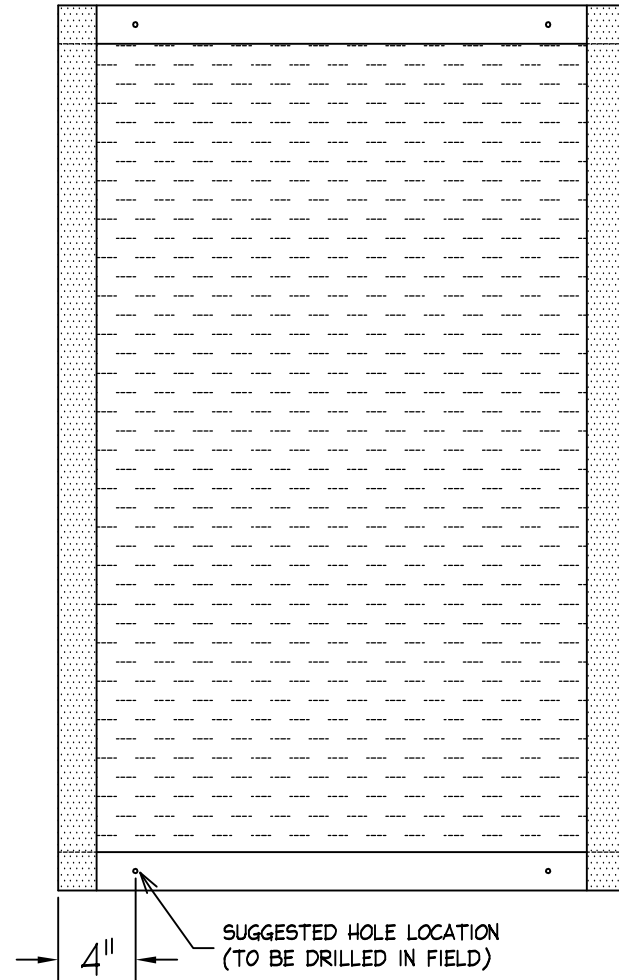


1. DRILL HOLES IN PANEL FRAME AS SHOWN
2. ATTACH Z-BRACKETS TO PANEL WITH 3/16" DIA. BOLT, NUT AND WASHER (BY OTHERS)
3. MOUNT PANEL ON WALL



ENLARGED VIEW OF MOUNTING BRACKET



TITLE  
**2" OFFSET  
 KNP MOUNTING**

LAST DATE  
 REVISED  
**4/23/09**

DRAWN BY  
**JAA**

DRAWING NO.  
**INSTAL19B.DWG** T-DWG