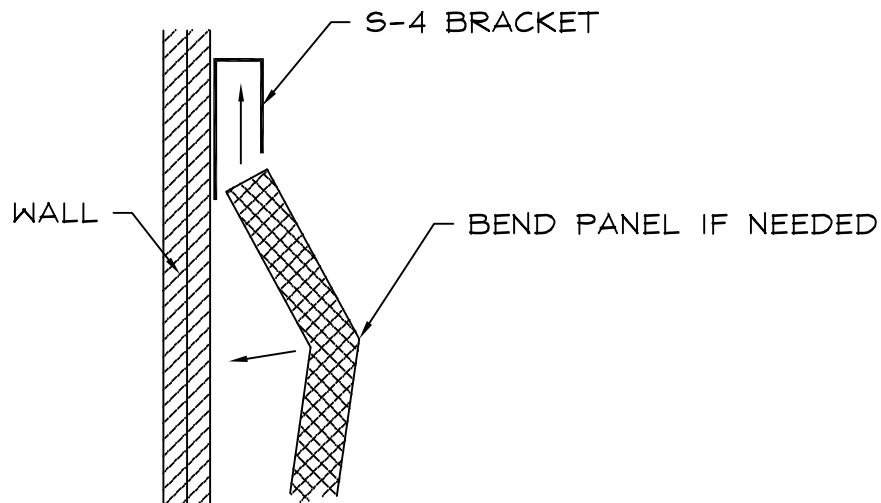


A B

C



1. DETERMINE EXACT PANEL LOCATION
2. FASTEN BRACKETS TO WALL IN ACCORDANCE WITH PROPOSED PANEL PLACEMENTS
3. SLIDE PANEL IN FROM SIDE OR BEND TO INSTALL FROM FRONT
4. EXTRA BRACKETS MAY BE USED ON THE SIDES OF LARGE PANELS
5. USE CONSTRUCTION ADHESIVE FOR A MORE SECURE INSTALLATION
6. SEAL ALL PUNCTURES IN FACING MATERIAL IF PANELS ARE EXPOSED TO MOISTURE