

KINETICS™

Free Standing Spring Isolators Model FDS 1 and 2

Description

Kinetics Model FDS Spring Vibration Isolators consist of high deflection, free-standing, unhooused, large diameter, laterally stable steel springs assembled into an upper load plate and leveling assembly. To assure stability, the spring isolators have lateral spring stiffness greater than 1.0 times the rated vertical stiffness and are designed to provide a minimum of 50% overload capacity. Springs are polyester powder coated, with a 1000-hour salt spray rating per ASTM B-117. In lighter capacities, FDS Spring Isolators have molded neoprene bottom load plate assemblies. In heavier capacities, springs are welded to the load plate assemblies and are furnished with a neoprene noise isolation pad. FDS Isolators have provisions for bolting the isolator to the structure. FDS isolators are available with deflections to 2" (51 mm) and with load capacities to 18,000 lbs. (8165 kg) as standard products. Custom isolators with higher deflection and greater load capacities are also available. Kinetics Model FDS Spring Isolators are highly effective for control of both high and low frequency vibration produced by reciprocating air or refrigeration compressors, pumps, packaged air handling and air conditioning equipment, centrifugal and axial fans, internal combustion engines, etc.

Application

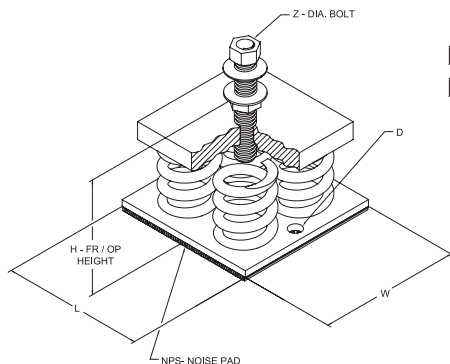
Kinetics Model FDS spring mounts are recommended for use in isolating floor mounted sources of noise and vibration located near critically quiet areas.

Model FDS spring mounts are typically used to reduce the transmission of noise and vibration from low speed mechanical equipment into a building structure. Operating static deflections are available to 2" (51 mm) to compensate for long span floor structures.

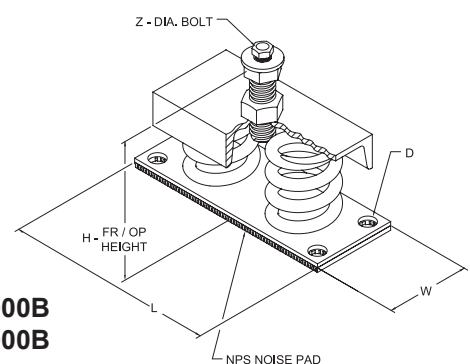
Model FDS spring mounts are used in a wide range of applications, some requiring Kinetics equipment bases in addition to spring isolators, and can be used to support and isolate the following equipment types: reciprocating air or refrigeration compressors, close coupled and base mounted pumps, packaged air handling and refrigeration equipment, centrifugal fans, internal combustion engines, and similar equipment. Model FDS Isolators are for use on equipment that is not subject to lateral forces such as wind.



Isolator Type	Spring Color	Rated Capacity		Rated Deflection		Spring O.D.		L		W		D		H		Z	
		lbs.	kg	in.	mm	in.	mm	in.	mm	in.	mm	in.	mm	in.	mm	in.	mm
FDS-1-35	Blue	35	16	1.52	39	1.75	44	2.63	67	2.63	67	0.69	17	4.19	106	0.38	10
FDS-1-70	Green	70	32	1.36	35	1.75	44	2.63	67	2.63	67	0.69	17	4.19	106	0.38	10
FDS-1-120	Gray	120	54	1.18	30	1.75	44	2.63	67	2.63	67	0.69	17	4.19	106	0.38	10
FDS-1-220	Brown	220	100	1.07	27	1.75	44	2.63	67	2.63	67	0.69	17	4.19	106	0.38	10
FDS-1-370	Orange	370	168	0.96	24	1.75	44	2.63	67	2.63	67	0.69	17	4.19	106	0.38	10
FDS-1-500	Beige	500	227	1.00	25	1.75	44	2.63	67	2.63	67	0.69	17	4.19	106	0.38	10
FDS-1-600	Chrome	600	272	1.00	25	1.75	44	2.63	67	2.63	67	0.69	17	4.19	106	0.38	10
FDS-1-700	Beige/Wh	700	318	1.00	25	1.75	44	2.63	67	2.63	67	0.69	17	4.19	106	0.38	10
FDS-1-805	Chr/Wh	805	365	1.01	26	1.75	44	2.63	67	2.63	67	0.69	17	4.19	106	0.38	10
FDS-1-50	Beige	50	23	1.00	25	3.00	76	3.88	98	3.88	98	1.00	25	5.44	138	0.38	10
FDS-1-100	Chrome	100	45	1.00	25	3.00	76	3.88	98	3.88	98	1.00	25	5.44	138	0.38	10
FDS-1-250	Blue	250	113	1.79	45	3.00	76	3.88	98	3.88	98	1.00	25	5.44	138	0.38	10
FDS-1-450	Green	450	204	1.54	39	3.00	76	3.88	98	3.88	98	1.00	25	5.44	138	0.38	10
FDS-1-625	Black	625	283	1.44	37	3.00	76	3.88	98	3.88	98	1.00	25	5.44	138	0.38	10
FDS-1-800	Gray	800	363	1.31	33	3.00	76	3.88	98	3.88	98	1.00	25	5.44	138	0.38	10
FDS-1-1000	Red	1000	454	1.15	29	3.00	76	3.88	98	3.88	98	1.00	25	5.44	138	0.38	10
FDS-1-1250	Brown	1250	567	1.09	28	3.00	76	3.88	98	3.88	98	1.00	25	5.44	138	0.38	10
FDS-1-1700	Orange	1700	771	0.95	24	3.00	76	3.88	98	3.88	98	1.00	25	5.44	138	0.38	10
FDS-1-2200	Org/Gray	2200	998	1.00	26	3.00	76	3.88	98	3.88	98	1.00	25	5.44	138	0.38	10
FDS-1-2465	Blue	2465	1118	1.00	25	3.00	76	3.88	98	3.88	98	1.00	25	5.44	138	0.38	10
FDS-1-2865	Blue/Gray	2865	1300	1.00	25	3.00	76	3.88	98	3.88	98	1.00	25	5.44	138	0.38	10
FDS-1-3500	Blue/Brn	3500	1588	1.00	25	3.00	76	3.88	98	3.88	98	1.00	25	5.44	138	0.38	10
FDS-1-120B	Blue	120	54	1.18	30	1.75	44	4.50	114	2.50	64	0.56	14	4.25	108	0.38	10
FDS-1-220B	Blue	220	100	1.07	27	1.75	44	4.50	114	2.50	64	0.56	14	4.25	108	0.38	10
FDS-1-370B	Blue	370	168	0.96	24	1.75	44	4.50	114	2.50	64	0.56	14	4.25	108	0.38	10
FDS-1-500B	Blue	500	227	1.00	25	1.75	44	4.50	114	2.50	64	0.56	14	4.25	108	0.38	10
FDS-1-600B	Blue	600	272	1.00	25	1.75	44	4.50	114	2.50	64	0.56	14	4.25	108	0.38	10
FDS-1-700B	Blue/Blue	700	318	1.00	25	1.75	44	4.50	114	2.50	64	0.56	14	4.25	108	0.38	10
FDS-1-805B	Blue/Blue	805	365	1.01	26	1.75	44	4.50	114	2.50	64	0.56	14	4.25	108	0.38	10
FDS-1-50B	Blue	50	23	1.00	25	3.00	76	7.00	178	4.00	102	0.69	17	5.63	143	0.38	10
FDS-1-100B	Blue	100	45	1.00	25	3.00	76	7.00	178	4.00	102	0.69	17	5.63	143	0.38	10
FDS-1-250B	Blue	250	113	1.79	45	3.00	76	7.00	178	4.00	102	0.69	17	5.63	143	0.38	10
FDS-1-450B	Blue	450	204	1.54	39	3.00	76	7.00	178	4.00	102	0.69	17	5.63	143	0.38	10
FDS-1-625B	Blue	625	283	1.44	37	3.00	76	7.00	178	4.00	102	0.69	17	5.63	143	0.38	10
FDS-1-800B	Blue	800	363	1.31	33	3.00	76	7.00	178	4.00	102	0.69	17	5.63	143	0.38	10
FDS-1-1000B	Blue	1000	454	1.15	29	3.00	76	7.00	178	4.00	102	0.69	17	5.63	143	0.38	10
FDS-1-1250B	Blue	1250	567	1.09	28	3.00	76	7.00	178	4.00	102	0.69	17	5.63	143	0.38	10
FDS-1-1700B	Blue	1700	771	0.95	24	3.00	76	7.00	178	4.00	102	0.69	17	5.63	143	0.38	10
FDS-1-2200B	Blue/Blue	2200	998	1.00	26	3.00	76	7.00	178	4.00	102	0.69	17	5.63	143	0.38	10
FDS-1-2465B	Blue	2465	1118	1.00	25	3.00	76	7.00	178	4.00	102	0.69	17	5.63	143	0.38	10
FDS-1-2865B	Blue/Blue	2865	1300	1.00	25	3.00	76	7.00	178	4.00	102	0.69	17	5.63	143	0.38	10
FDS-1-3500B	Blue/Blue	3500	1588	1.00	25	3.00	76	7.00	178	4.00	102	0.69	17	5.63	143	0.38	10
FDS-1-2500B	Blue/Blue	2500	1134	1.09	28	3.00	76	10.00	254	4.00	102	0.69	17	6.25	159	0.50	13
FDS-1-3400B	Blue/Blue	3400	1542	0.95	24	3.00	76	10.00	254	4.00	102	0.69	17	6.25	159	0.50	13
FDS-1-4400B	Blue/Blue	4400	1996	1.00	26	3.00	76	10.00	254	4.00	102	0.69	17	6.25	159	0.50	13
FDS-1-4930B	Blue/Blue	4930	2236	1.00	25	3.00	76	10.00	254	4.00	102	0.69	17	6.25	159	0.50	13
FDS-1-5730B	Blue/Blue	5730	2599	1.00	25	3.00	76	10.00	254	4.00	102	0.69	17	6.25	159	0.50	13
FDS-1-7000B	Blue/Blue	7000	3175	1.00	25	3.00	76	10.00	254	4.00	102	0.69	17	6.25	159	0.50	13
FDS-1-5000B	Blue	5000	2268	1.09	28	3.00	76	8.00	203	8.00	203	0.69	17	6.88	175	0.50	13
FDS-1-6800B	Blue	6800	3084	0.95	24	3.00	76	8.00	203	8.00	203	0.69	17	6.88	175	0.50	13
FDS-1-8800B	Blue/Blue	8800	3992	1.00	26	3.00	76	8.00	203	8.00	203	0.69	17	6.88	175	0.50	13
FDS-1-9860B	Blue	9860	4472	1.00	25	3.00	76	8.00	203	8.00	203	0.69	17	6.88	175	0.63	16
FDS-1-11460B	Blue/Blue	11460	5198	1.00	25	3.00	76	8.00	203	8.00	203	0.69	17	6.88	175	0.63	16
FDS-1-14000B	Blue/Blue	14000	6350	1.00	25	3.00	76	8.00	203	8.00	203	0.69	17	6.88	175	0.63	16

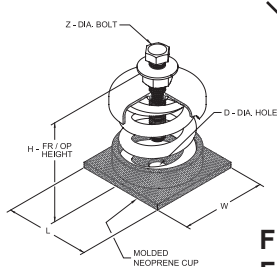


FDS-1-5000B/14000B
FDS-2-8000B/18000B

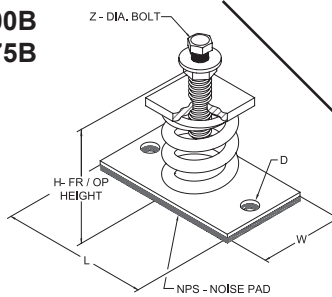


FDS-1-2500B/7000B
FDS-2-4000B/9000B

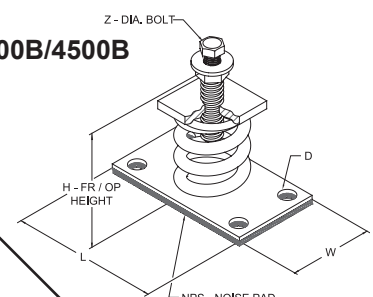
Isolator Type	Spring Color	Rated Capacity		Rated Deflection		Spring O.D.		L		W		D		H		Z	
		lbs.	kg	in.	mm	in.	mm	in.	mm	in.	mm	in.	mm	in.	mm	in.	mm
FDS-2-100	Gray	100	45	2.00	51	3.50	89	4.38	111	4.38	111	1.00	25	7.31	186	0.38	10
FDS-2-135	Beige	135	61	2.00	51	3.50	89	4.38	111	4.38	111	1.00	25	7.31	186	0.38	10
FDS-2-185	Brown	185	84	2.00	51	3.50	89	4.38	111	4.38	111	1.00	25	7.31	186	0.38	10
FDS-2-225	Gray/Brn	225	102	2.00	51	3.50	89	4.38	111	4.38	111	1.00	25	7.31	186	0.38	10
FDS-2-250	Blue	250	113	2.00	51	3.50	89	4.38	111	4.38	111	1.00	25	7.31	186	0.38	10
FDS-2-375	Blue/Brn	375	170	2.00	51	3.50	89	4.38	111	4.38	111	1.00	25	7.31	186	0.38	10
FDS-2-500	Green	500	227	2.00	51	3.50	89	4.38	111	4.38	111	1.00	25	7.31	186	0.38	10
FDS-2-625	Green/Brn	625	283	2.00	51	3.50	89	4.38	111	4.38	111	1.00	25	7.31	186	0.38	10
FDS-2-750	Black	750	340	2.00	51	3.50	89	4.38	111	4.38	111	1.00	25	7.31	186	0.38	10
FDS-2-875	Black/Brn	875	397	2.00	51	3.50	89	4.38	111	4.38	111	1.00	25	7.31	186	0.38	10
FDS-2-995	Orange	995	451	2.00	51	3.50	89	4.38	111	4.38	111	1.00	25	7.31	186	0.38	10
FDS-2-1120	Org/Brn	1120	508	2.00	51	3.50	89	4.38	111	4.38	111	1.00	25	7.31	186	0.38	10
FDS-2-1400	Org/Grn	1400	635	2.01	51	3.50	89	4.38	111	4.38	111	1.00	25	7.31	186	0.38	10
FDS-2-1600	Red	1600	726	2.00	51	3.50	89	4.38	111	4.38	111	1.00	25	7.31	186	0.38	10
FDS-2-1975	Red/Grn	1975	896	1.98	50	3.50	89	4.38	111	4.38	111	1.00	25	7.31	186	0.38	10
FDS-2-100B	Blue	100	45	2.00	51	3.50	89	7.00	178	4.00	102	0.69	17	7.50	191	0.38	10
FDS-2-135B	Blue	135	61	2.00	51	3.50	89	7.00	178	4.00	102	0.69	17	7.50	191	0.38	10
FDS-2-185B	Blue	185	84	2.00	51	3.50	89	7.00	178	4.00	102	0.69	17	7.50	191	0.38	10
FDS-2-225B	Blue/Blue	225	102	2.00	51	3.50	89	7.00	178	4.00	102	0.69	17	7.50	191	0.38	10
FDS-2-250B	Blue	250	113	2.00	51	3.50	89	7.00	178	4.00	102	0.69	17	7.50	191	0.38	10
FDS-2-375B	Blue/Blue	375	170	2.00	51	3.50	89	7.00	178	4.00	102	0.69	17	7.50	191	0.38	10
FDS-2-500B	Blue	500	227	2.00	51	3.50	89	7.00	178	4.00	102	0.69	17	7.50	191	0.38	10
FDS-2-625B	Blue/Blue	625	283	2.00	51	3.50	89	7.00	178	4.00	102	0.69	17	7.50	191	0.38	10
FDS-2-750B	Blue	750	340	2.00	51	3.50	89	7.00	178	4.00	102	0.69	17	7.50	191	0.38	10
FDS-2-875B	Blue/Blue	875	397	2.00	51	3.50	89	7.00	178	4.00	102	0.69	17	7.50	191	0.38	10
FDS-2-995B	Blue	995	451	2.00	51	3.50	89	7.00	178	4.00	102	0.69	17	7.50	191	0.38	10
FDS-2-1120B	Blue/Blue	1120	508	2.00	51	3.50	89	7.00	178	4.00	102	0.69	17	7.50	191	0.38	10
FDS-2-1400B	Blue/Blue	1400	635	2.01	51	3.50	89	7.00	178	4.00	102	0.69	17	7.50	191	0.38	10
FDS-2-1600B	Blue	1600	726	2.00	51	3.50	89	7.00	178	4.00	102	0.69	17	7.50	191	0.38	10
FDS-2-1975B	Blue/Blue	1975	896	1.98	50	3.50	89	7.00	178	4.00	102	0.69	17	7.50	191	0.38	10
FDS-2-2000B	Blue	2000	907	2.00	51	5.00	127	7.00	178	5.00	127	0.56	14	8.75	222	0.38	10
FDS-2-2500B	Blue	2500	1134	2.00	51	5.00	127	7.00	178	5.00	127	0.56	14	8.75	222	0.38	10
FDS-2-2750B	Blue/Blue	2750	1247	2.00	51	5.00	127	7.00	178	5.00	127	0.56	14	8.75	222	0.50	13
FDS-2-3025B	Blue/Blue	3025	1372	2.02	51	5.00	127	7.00	178	5.00	127	0.56	14	8.75	222	0.50	13
FDS-2-3250B	Blue/Blue	3250	1474	2.00	51	5.00	127	7.00	178	5.00	127	0.56	14	8.75	222	0.50	13
FDS-2-3500B	Blue/Blue	3500	1588	2.00	51	5.00	127	7.00	178	5.00	127	0.56	14	8.75	222	0.50	13
FDS-2-3900B	Blu/Blu/Blu	3900	1769	2.00	51	5.00	127	7.00	178	5.00	127	0.56	14	8.75	222	0.50	13
FDS-2-4100B	Blue/Blue	4100	1860	2.00	51	5.00	127	7.00	178	5.00	127	0.56	14	8.75	222	0.50	13
FDS-2-4500B	Blu/Blu/Blu	4500	2041	2.00	51	5.00	127	7.00	178	5.00	127	0.56	14	8.75	222	0.50	13
FDS-2-4000B	Blue	4000	1814	2.00	51	5.00	127	14.00	356	6.00	152	0.69	17	9.25	235	0.50	13
FDS-2-5000B	Blue	5000	2268	2.00	51	5.00	127	14.00	356	6.00	152	0.69	17	9.25	235	0.50	13
FDS-2-5500B	Blue/Blue	5500	2495	2.00	51	5.00	127	14.00	356	6.00	152	0.69	17	9.25	235	0.50	13
FDS-2-6050B	Blue/Blue	6050	2744	2.02	51	5.00	127	14.00	356	6.00	152	0.69	17	9.25	235	0.50	13
FDS-2-6500B	Blue/Blue	6500	2948	2.00	51	5.00	127	14.00	356	6.00	152	0.69	17	9.25	235	0.50	13
FDS-2-7000B	Blue/Blue	7000	3175	2.00	51	5.00	127	14.00	356	6.00	152	0.69	17	9.25	235	0.50	13
FDS-2-7800B	Blu/Blu/Blu	7800	3538	2.00	51	5.00	127	14.00	356	6.00	152	0.69	17	9.25	235	0.50	13
FDS-2-8200B	Blue/Blue	8200	3719	2.00	51	5.00	127	14.00	356	6.00	152	0.69	17	9.25	235	0.50	13
FDS-2-9000B	Blu/Blu/Blu	9000	4082	2.00	51	5.00	127	14.00	356	6.00	152	0.69	17	9.25	235	0.50	13
FDS-2-8000B	Blue	8000	3629	2.00	51	5.00	127	12.00	305	11.00	279	0.81	21	11.75	298	1.25	32
FDS-2-10000B	Blue	10000	4536	2.00	51	5.00	127	12.00	305	11.00	279	0.81	21	11.75	298	1.25	32
FDS-2-11000B	Blue/Blue	11000	4990	2.00	51	5.00	127	12.00	305	11.00	279	0.81	21	11.75	298	1.50	38
FDS-2-12100B	Blue/Blue	12100	5488	2.02	51	5.00	127	12.00	305	11.00	279	0.81	21	11.75	298	1.50	38
FDS-2-13000B	Blue/Blue	13000	5897	2.00	51	5.00	127	12.00	305	11.00	279	0.81	21	11.75	298	1.50	38
FDS-2-14000B	Blue/Blue	14000	6350	2.00	51	5.00	127	12.00	305	11.00	279	0.81	21	11.75	298	1.50	38
FDS-2-15600B	Blu/Blu/Blu	15600	7076	2.00	51	5.00	127	12.00	305	11.00	279	0.81	21	11.75	298	1.50	38
FDS-2-16400B	Blue/Blue	16400	7439	2.00	51	5.00	127	12.00	305	11.00	279	0.81	21	11.75	298	1.50	38
FDS-2-18000B	Blu/Blu/Blu	18000	8165	2.00	51	5.00	127	12.00	305	11.00	279	0.81	21	11.75	298	1.50	38



FDS-1-35/3500
FDS-2-100/1975



FDS-1-120B/3500B
FDS-2-100B/1975B



FDS-2-2000B/4500B

Specifications

Vibration isolators shall be free standing, unhooused, laterally stable steel springs. Springs shall have a lateral stiffness greater than 1.0 times the rated vertical stiffness and shall be designed to provide a minimum 50% overload capacity.

Springs shall be assembled or welded between top and bottom load plates. The upper load plate shall be provided with steel leveling bolts, lock nut and washer for attachment to the supported equipment. The lower load plate shall incorporate a non-skid noise isolation pad and shall have provisions for bolting the isolator to the supporting structure, as required.

Springs shall be selected to provide operating static deflections shown on the Vibration Isolation Schedule or as otherwise indicated on the project documents. Springs shall be color coded or otherwise identified to indicate load capacity. Spring isolation mounts for floor-mounted equipment shall be Model FDS, as manufactured by Kinetics Noise Control, Inc.



kineticsnoise.com
sales@kineticsnoise.com
1-800-959-1229

KINETICS™

Free Standing Spring Isolators Model FDS-4

Description

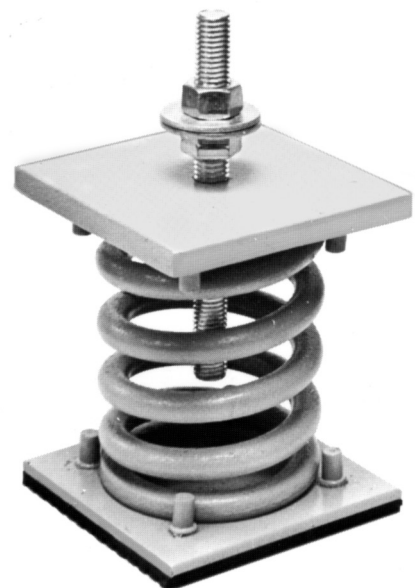
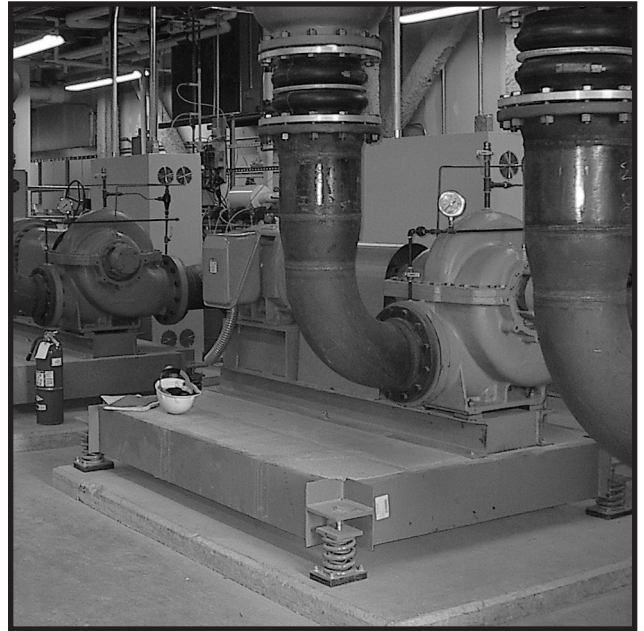
Kinetics Model FDS Spring Vibration Isolators consist of high deflection, free-standing, unhooused, large diameter, laterally stable steel springs assembled into an upper load plate and leveling assembly. To assure stability, the spring isolators have lateral spring stiffness greater than 1.0 times the rated vertical stiffness and are designed to provide a minimum 50% overload capacity. Springs are polyester powder coated, with a 1,000-hour salt spray rating per ASTM B-117. In lighter capacities, FDS Spring Isolators have molded neoprene bottom load plate assemblies. In heavier capacities, springs are welded to the load plate assemblies and are furnished with a neoprene noise isolation pad. FDS Isolators have provisions for bolting the isolator to the structure. FDS isolators are available with deflections to 4" (102 mm) and with load capacities to 23,200 lbs. (10,523 kg) as standard products. Custom isolators with higher deflection and greater load capacities are also available. Kinetics Model FDS Spring Isolators are highly effective for control of both high and low frequency vibration produced by reciprocating air or refrigeration compressors, pumps, packaged air-handling and air-conditioning equipment, centrifugal and axial fans, internal combustion engines, etc.

Application

Kinetics Model FDS spring mounts are recommended for use in isolating floor mounted sources of noise and vibration located near critically quiet areas.

Model FDS spring mounts are typically used to reduce the transmission of noise and vibration from low speed mechanical equipment into a building structure. Operating static deflections are available up to 4" (102 mm) to compensate for long span flexible floor structures.

Model FDS spring mounts are used in a wide range of applications, some requiring Kinetics equipment bases in addition to spring isolators, and can be used to support and isolate the following equipment types: reciprocating air or refrigeration compressors, close coupled and basemounted pumps, packaged air-handling and refrigeration equipment, centrifugal fans, internal combustion engines, and similar equipment. Model FDS Isolators are for use on equipment that is not subject to lateral forces such as wind.



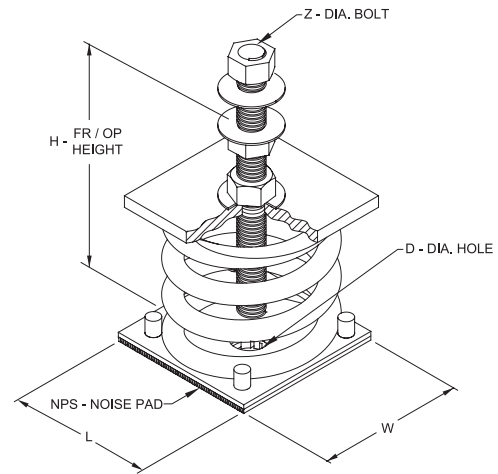
Specifications

Vibration isolators shall be free standing, unhooused, laterally stable steel springs. Springs shall have a lateral stiffness greater than 1.0 times the rated vertical stiffness and shall be designed to provide a minimum 50% overload capacity.

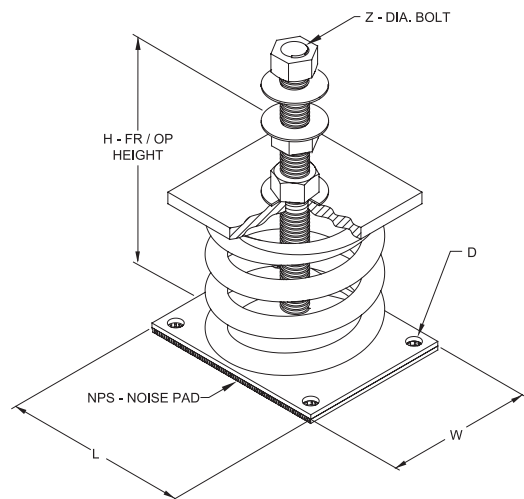
Springs shall be assembled or welded between top and bottom load plates. The upper load plate shall be provided with steel leveling bolts, lock nut and washer for attachment to the supported equipment. The lower load plate shall incorporate a non-skid noise isolation pad and shall have provisions for bolting the isolator to the supporting structure, as required.

Springs shall be selected to provide operating static deflections shown on the Vibration Isolation Schedule or as otherwise indicated on the project documents. Springs shall be color coded or otherwise identified to indicate load capacity.

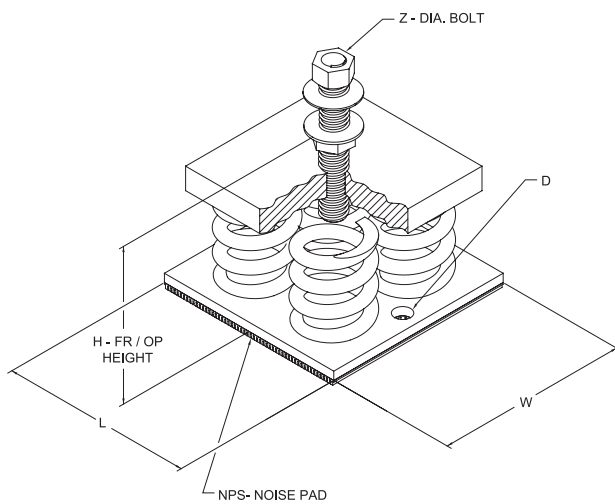
Spring isolation mounts for floor-mounted equipment shall be Model FDS, as manufactured by Kinetics Noise Control, Inc.



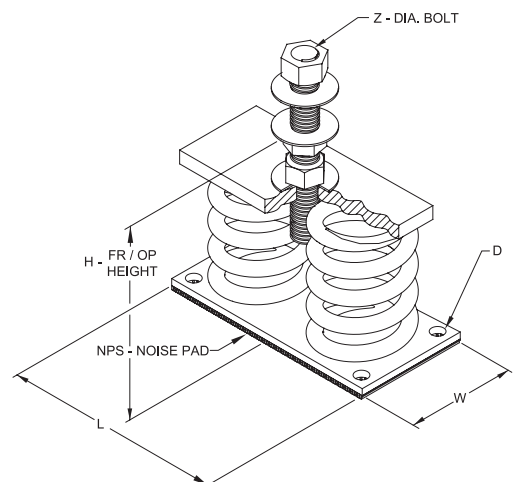
FDS-4-100/1600



FDS-4-2250B/5800B



FDS-4-11000B/23200B



FDS-4-5500B/11600B

Isolator Type	Spring Color	Rated Capacity		Rated Deflection		Spring O.D.		L		W		D		Z		H	
		lbs.	kg	in.	mm	in.	mm	in.	mm	in.	mm	in.	mm	in.	mm	in.	mm
FDS-4-100	Gray	100	45	4.00	102	5.63	143	6.00	152	6.00	152	0.81	21	0.88	22	13.00	330
FDS-4-250	Blue	250	113	4.00	102	5.63	143	6.00	152	6.00	152	0.81	21	0.88	22	13.00	330
FDS-4-500	Green	500	227	4.00	102	5.63	143	6.00	152	6.00	152	0.81	21	0.88	22	13.00	330
FDS-4-750	Black	750	340	4.00	102	5.63	143	6.00	152	6.00	152	0.81	21	0.88	22	13.00	330
FDS-4-1000	Red	1000	454	4.00	102	5.63	143	6.00	152	6.00	152	0.81	21	0.88	22	13.00	330
FDS-4-1250	Brown	1250	567	4.00	102	5.63	143	6.00	152	6.00	152	0.81	21	0.88	22	13.00	330
FDS-4-1600	Orange	1600	726	4.00	102	5.63	143	6.00	152	6.00	152	0.81	21	0.88	22	13.00	330
FDS-4-2250B	Blue	2250	1021	4.00	102	8.00	203	10.00	254	8.00	203	0.69	17	1.25	32	15.25	387
FDS-4-2500B	Blue/Blue	2500	1134	4.00	102	8.00	203	10.00	254	8.00	203	0.69	17	1.25	32	15.25	387
FDS-4-2750B	Blue/Blue	2750	1247	4.00	102	8.00	203	10.00	254	8.00	203	0.69	17	1.25	32	15.25	387
FDS-4-3000B	Blue/Blue	3000	1361	4.00	102	8.00	203	10.00	254	8.00	203	0.69	17	1.25	32	15.25	387
FDS-4-3250B	Blue/Blue	3250	1474	4.00	102	8.00	203	10.00	254	8.00	203	0.69	17	1.25	32	15.25	387
FDS-4-3500B	Blue/Blue	3500	1588	4.00	102	8.00	203	10.00	254	8.00	203	0.69	17	1.25	32	15.25	387
FDS-4-3850B	Blue/Blue	3850	1746	4.00	102	8.00	203	10.00	254	8.00	203	0.69	17	1.25	32	15.25	387
FDS-4-4200B	Blue	4200	1905	4.00	102	8.00	203	10.00	254	8.00	203	0.69	17	1.25	32	15.25	387
FDS-4-4450B	Blue/Blue	4450	2018	4.00	102	8.00	203	10.00	254	8.00	203	0.69	17	1.25	32	15.25	387
FDS-4-4700B	Blue/Blue	4700	2132	4.00	102	8.00	203	10.00	254	8.00	203	0.69	17	1.25	32	15.25	387
FDS-4-4950B	Blue/Blue	4950	2245	4.00	102	8.00	203	10.00	254	8.00	203	0.69	17	1.25	32	15.25	387
FDS-4-5200B	Blue/Blue	5200	2359	4.00	102	8.00	203	10.00	254	8.00	203	0.69	17	1.25	32	15.25	387
FDS-4-5450B	Blue/Blue	5450	2472	4.00	102	8.00	203	10.00	254	8.00	203	0.69	17	1.25	32	15.25	387
FDS-4-5800B	Blue/Blue	5800	2631	4.00	102	8.00	203	10.00	254	8.00	203	0.69	17	1.25	32	15.25	387
FDS-4-5500B	Blue/Blue	5500	2495	4.00	102	8.00	203	18.50	470	8.00	203	0.69	17	1.25	32	16.00	406
FDS-4-6000B	Blue/Blue	6000	2722	4.00	102	8.00	203	18.50	470	8.00	203	0.69	17	1.25	32	16.00	406
FDS-4-6500B	Blue/Blue	6500	2948	4.00	102	8.00	203	18.50	470	8.00	203	0.69	17	1.25	32	16.00	406
FDS-4-7000B	Blue/Blue	7000	3175	4.00	102	8.00	203	18.50	470	8.00	203	0.69	17	1.25	32	16.00	406
FDS-4-7700B	Blue/Blue	7700	3493	4.00	102	8.00	203	18.50	470	8.00	203	0.69	17	1.25	32	16.00	406
FDS-4-8400B	Blue	8400	3810	4.00	102	8.00	203	18.50	470	8.00	203	0.69	17	1.25	32	16.00	406
FDS-4-8900B	Blue/Blue	8900	4037	4.00	102	8.00	203	18.50	470	8.00	203	0.69	17	1.25	32	16.00	406
FDS-4-9400B	Blue/Blue	9400	4264	4.00	102	8.00	203	18.50	470	8.00	203	0.69	17	1.25	32	16.00	406
FDS-4-9900B	Blue/Blue	9900	4491	4.00	102	8.00	203	18.50	470	8.00	203	0.69	17	1.25	32	16.00	406
FDS-4-10400B	Blue/Blue	10400	4717	4.00	102	8.00	203	18.50	470	8.00	203	0.69	17	1.25	32	16.00	406
FDS-4-10900B	Blue/Blue	10900	4944	4.00	102	8.00	203	18.50	470	8.00	203	0.69	17	1.25	32	16.00	406
FDS-4-11600B	Blue/Blue	11600	5262	4.00	102	8.00	203	18.50	470	8.00	203	0.69	17	1.25	32	16.00	406
FDS-4-11000B	Blue/Blue	11000	4990	4.00	102	8.00	203	18.00	457	16.00	406	0.81	21	1.50	38	16.75	425
FDS-4-12000B	Blue/Blue	12000	5443	4.00	102	8.00	203	18.00	457	16.00	406	0.81	21	1.50	38	16.75	425
FDS-4-13000B	Blue/Blue	13000	5897	4.00	102	8.00	203	18.00	457	16.00	406	0.81	21	1.50	38	16.75	425
FDS-4-14000B	Blue/Blue	14000	6350	4.00	102	8.00	203	18.00	457	16.00	406	0.81	21	1.50	38	16.75	425
FDS-4-15400B	Blue/Blue	15400	6985	4.00	102	8.00	203	18.00	457	16.00	406	0.81	21	1.50	38	16.75	425
FDS-4-16800B	Blue	16800	7620	4.00	102	8.00	203	18.00	457	16.00	406	0.81	21	1.50	38	16.75	425
FDS-4-17800B	Blue/Blue	17800	8074	4.00	102	8.00	203	18.00	457	16.00	406	0.81	21	1.50	38	16.75	425
FDS-4-18800B	Blue/Blue	18800	8528	4.00	102	8.00	203	18.00	457	16.00	406	0.81	21	1.75	44	17.25	438
FDS-4-19800B	Blue/Blue	19800	8981	4.00	102	8.00	203	18.00	457	16.00	406	0.81	21	1.75	44	17.25	438
FDS-4-20800B	Blue/Blue	20800	9435	4.00	102	8.00	203	18.00	457	16.00	406	0.81	21	1.75	44	17.25	438
FDS-4-21800B	Blue/Blue	21800	9888	4.00	102	8.00	203	18.00	457	16.00	406	0.81	21	1.75	44	17.25	438
FDS-4-23200B	Blue/Blue	23200	10523	4.00	102	8.00	203	18.00	457	16.00	406	0.81	21	1.75	44	17.25	438



kineticsnoise.com
sales@kineticsnoise.com
1-800-959-1229