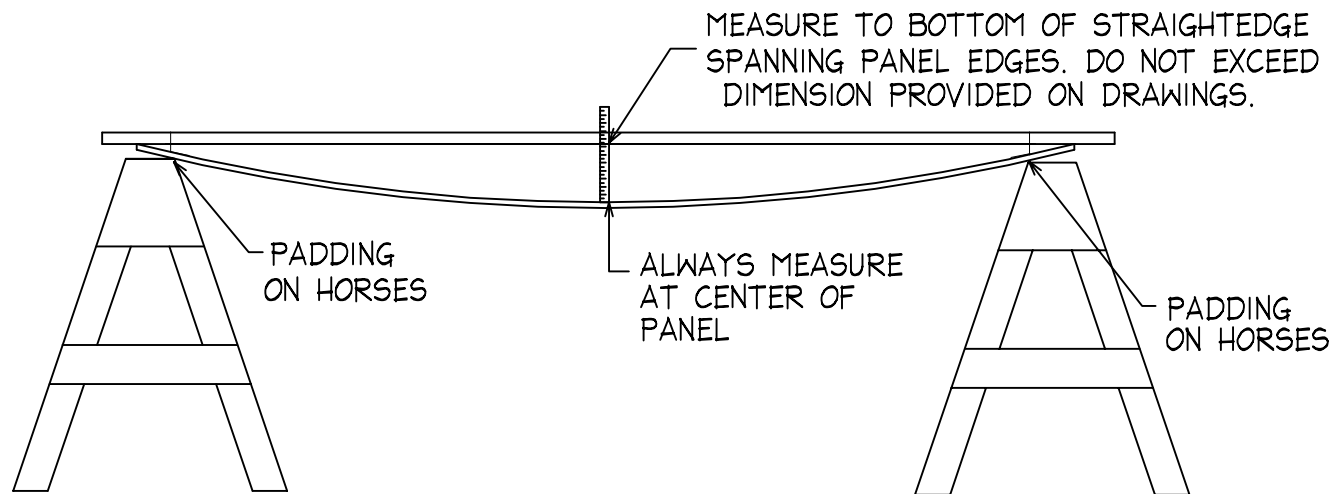


BOWING INSTRUCTIONS



A PIECE OF CARPET OR ANOTHER TYPE OF PADDING MUST BE PLACED BETWEEN THE PANEL AND THE HORSES. THE HORSES SHOULD EXTEND THE FULL LENGTH OF THE PANEL.

PLACE OVATION REFLECTOR PANEL FACE DOWN ON SAW HORSES (AS SHOWN ABOVE). KEEP OUTSIDE OF HORSES FLUSH WITH EDGE OF PANEL. SLIDE ALL-THREAD RODS THROUGH HOLES DRILLED IN VERTICAL LEG OF BRACKET. PLACE A WASHER AND (2) NUTS ON EACH END OF ALL-THREAD. ALLOW ALL-THREAD TO EXTEND APPROXIMATELY 1" BEYOND BRACKET ON ONE END. TURN THE NUTS DOWN ON THE OTHER END UNTIL THEY ARE FINGER-TIGHT AGAINST THE BRACKET. TO ACHIEVE THE DESIRED RADIUS, START AT ONE END OF THE PANEL AND TIGHTEN THE NUTS GRADUALLY AND EQUALLY WHILE MEASURING FROM BACK OF PANEL TO BOTTOM OF STRAIGHTEDGE (AS SHOWN ABOVE). TIGHTEN IN 1/4", 1/2", 3/4" OR 1" INCREMENTS UNTIL THE NOTED DIMENSION IS ACHIEVED. THIS DIMENSION WILL BE ON THE DRAWINGS PROVIDED BY KINETICS NOISE CONTROL AND MUST NOT BE EXCEEDED. AFTER BOWING IS COMPLETE, CUT OFF EXCESS ALL-THREAD TO 1".

NOTE: PRESSURE CAN BE APPLIED TO BACK OF PANEL TO ASSIST IN BOWING.