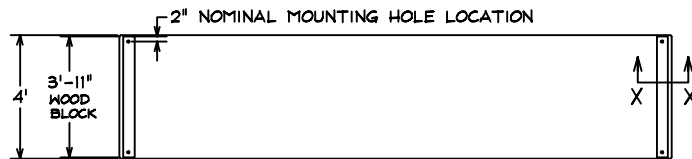
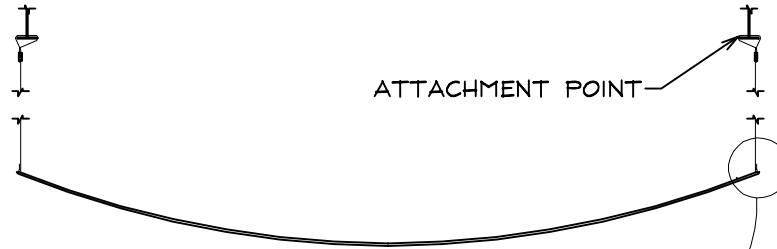
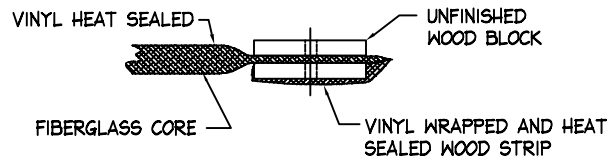


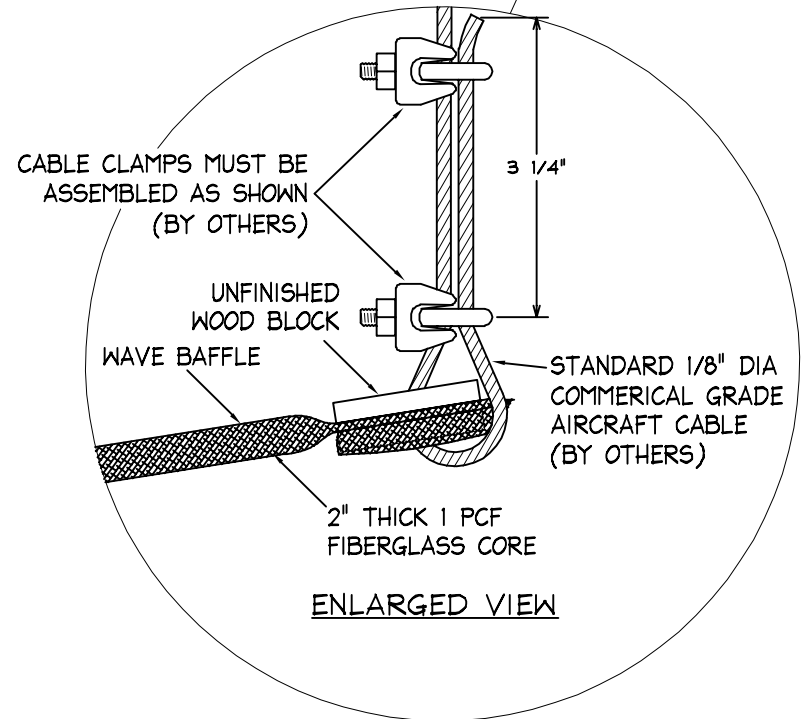
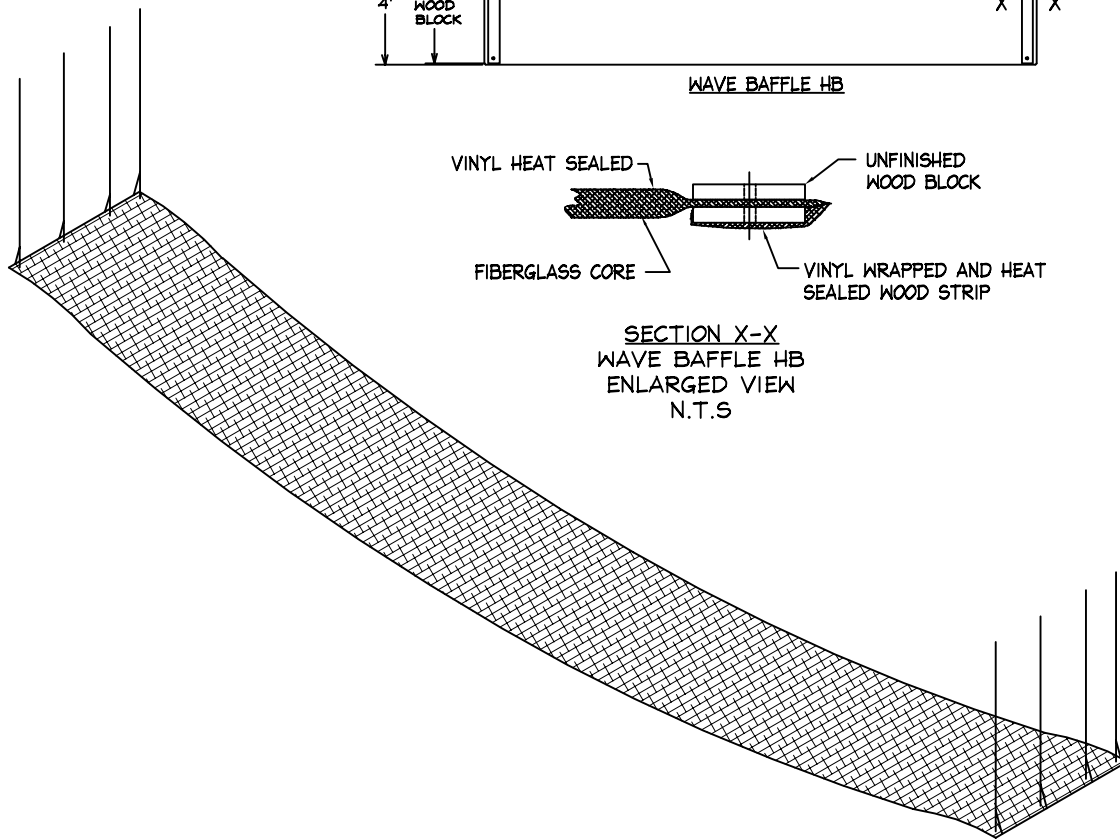
BAFFLE LENGTH (FT.)	MINIMUM DROP (IN.)
10	3
15	6
20	12
25	18
30	24



WAVE BAFFLE HB



SECTION X-X
WAVE BAFFLE HB
ENLARGED VIEW
N.T.S



ENLARGED VIEW