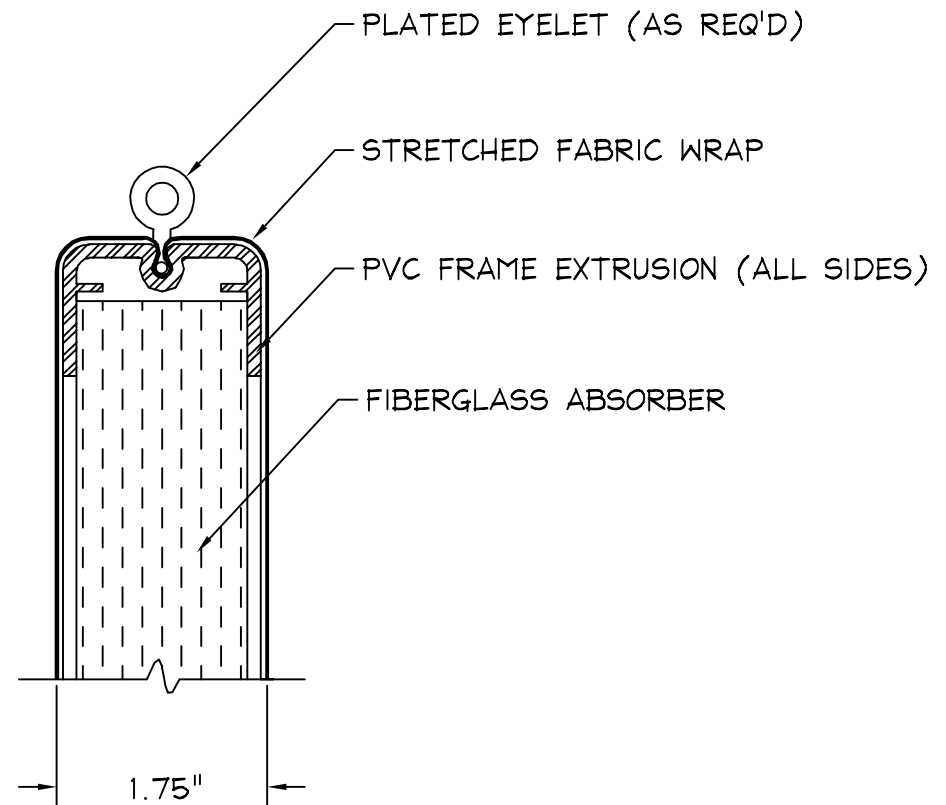
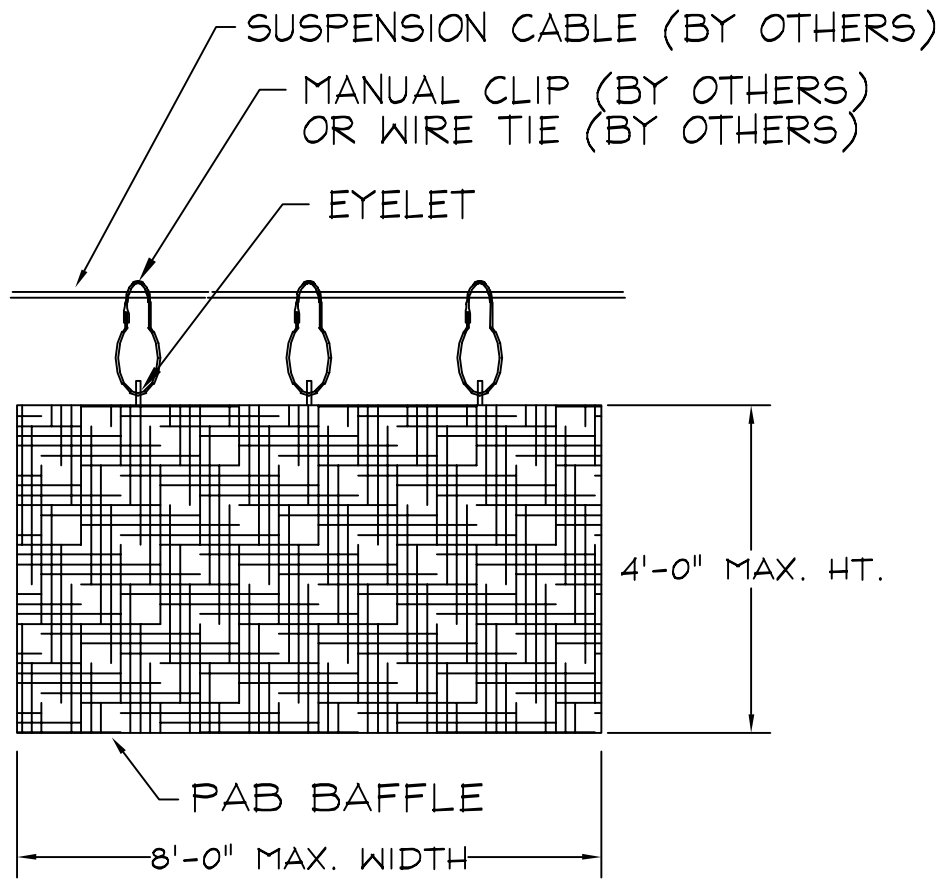


SUGGESTED METHOD OF ATTACHMENT TO STRUCTURE



PAB BAFFLE SECTION