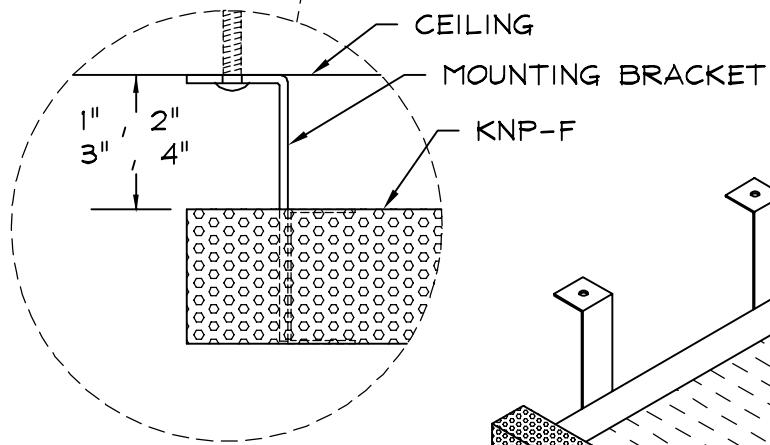
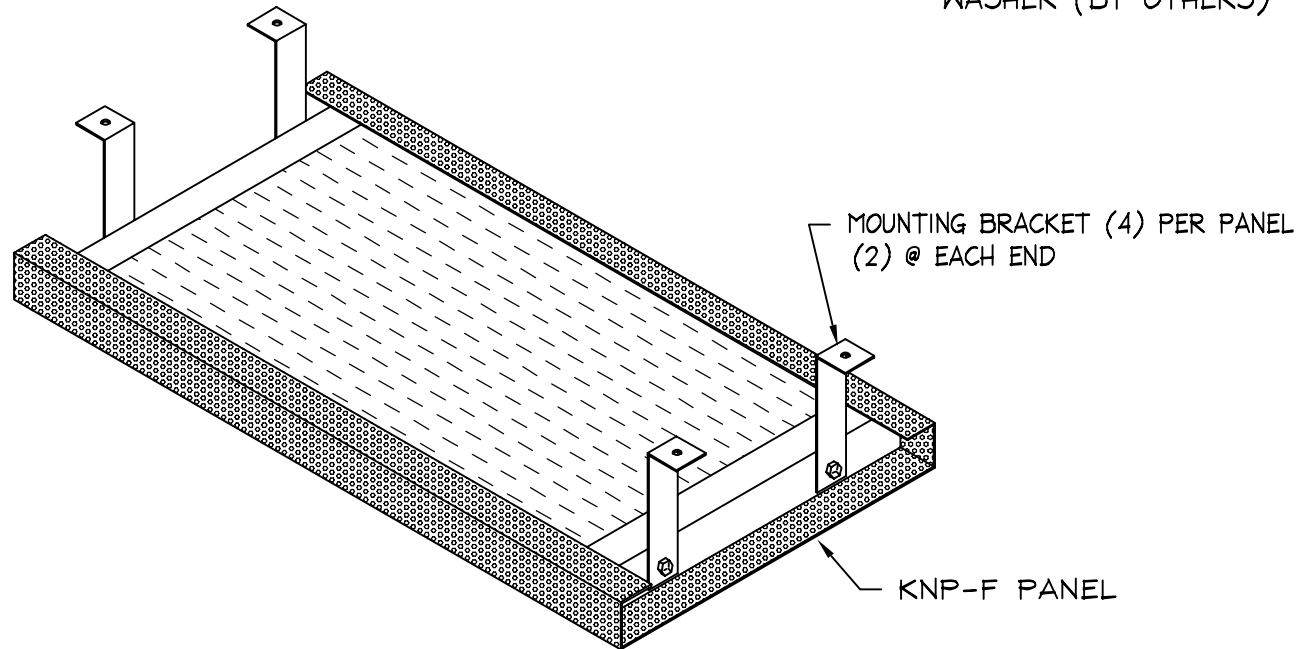


FASTENERS APPROPRIATE FOR SPECIFIC WALL COMPOSITION (PROVIDED BY OTHERS)



- 1.) DRILL HOLES IN PANEL FRAME.
- 2.) ATTACH L-BRACKETS TO PANEL WITH 3/16" DIAMETER BOLT, NUT & WASHER (BY OTHERS)



CEILING MOUNTING UTILIZING OFFSET MOUNTING BRACKETS