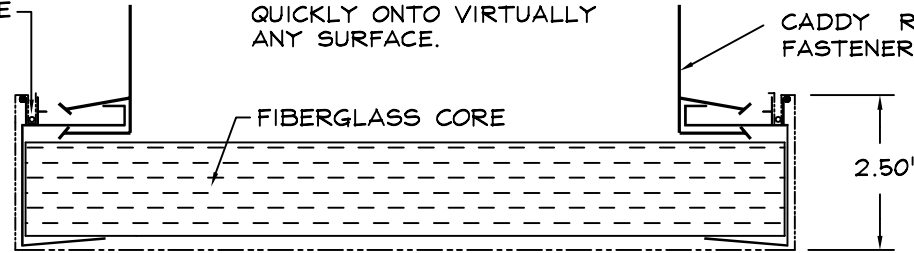
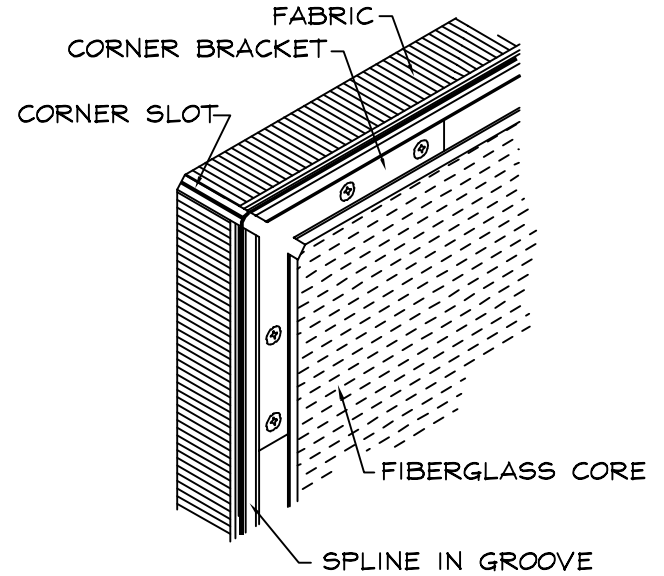


TAP ON - MAKE SURE CLIP IS AT RIGHT ANGLE TO PANEL

SPLINE & GROOVE



(TYP.) PANEL SECTION



(TYP.) PANEL CORNER

NOTE:
KINETICS CLOUD PANELS ARE EASILY HUNG BY USING SUSPENSION BRACKETS. PANELS CAN BE INSTALLED QUICKLY ONTO VIRTUALLY ANY SURFACE.

NOTES:
PANELS OVER 4' REQUIRE (6) CLIPS
PANELS 4' AND UNDER REQUIRE (4) CLIPS

TITLE	LAST DATE REVISED	DRAWN BY	DRAWING NO.	T-DWG
INSTALLATION APPLIQUE CLOUD PANEL	12/22/17	DQK	INSTALL29	