

# FLM

## Lift Slab Floating Floor System



### Features

- STC 69/IIC 61 with 4" floating slab and 2" airspace over 6" concrete deck
- Various load capacities offered in either fiberglass or rubber isolators
- Easy to adapt for wide range of airspaces
- Adapters available for thicker concrete slabs
- Engineering assistance and submittal drawings offered
- Factory installation and supervision available

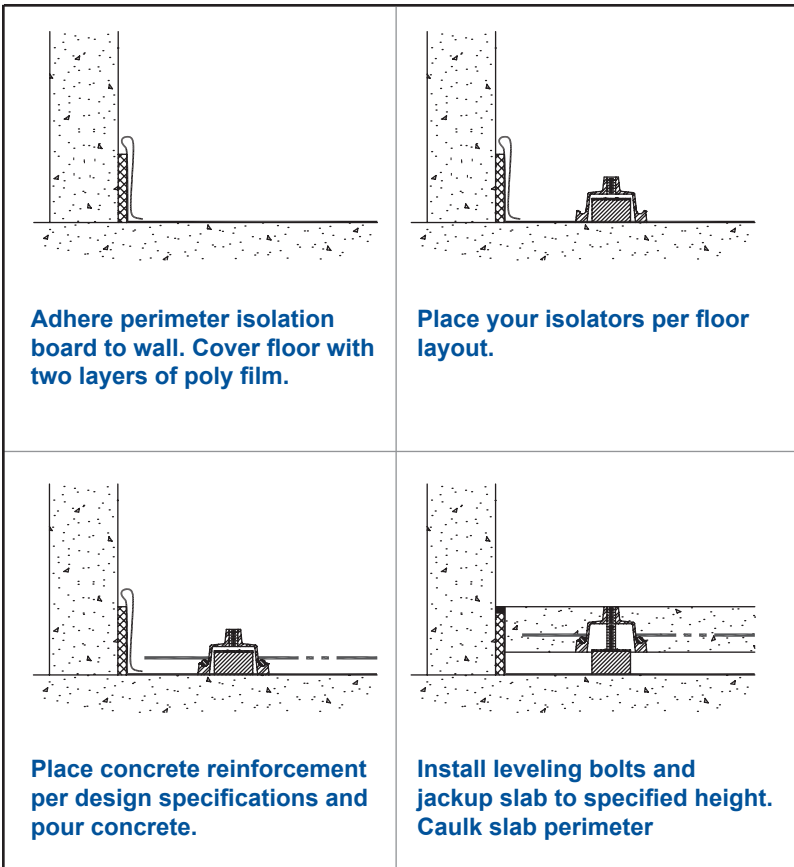
### Application

Create any airspace between the isolated slab and the structural deck by simply changing the length of the leveling bolt. Additionally, the top of the casting may be extended with an adapter to allow for any thickness of floating concrete slab. High load areas are handled either by adding extra mounts or by using higher capacity isolators. FLM mounts are laid out in accordance with submittal drawings provided by Kinetics.

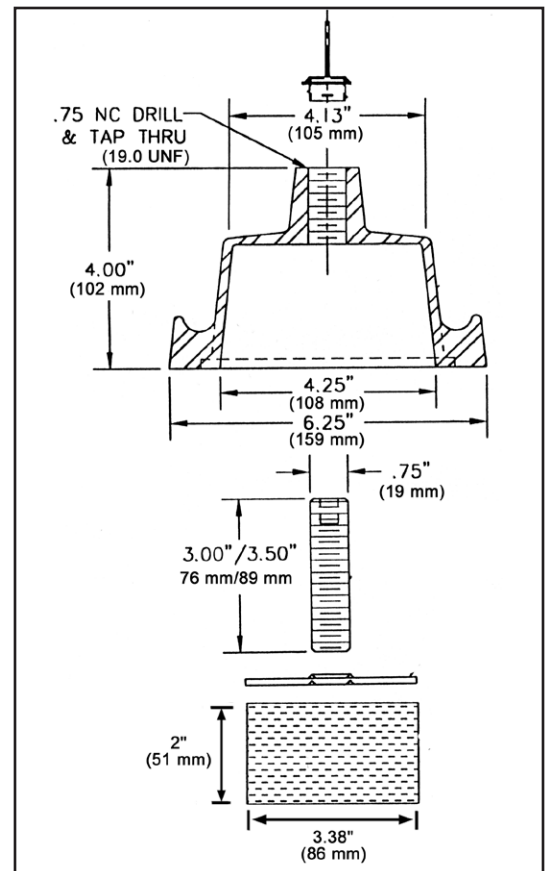
### Description

FLM consists of a resilient decoupler, cast housing, and leveling bolt. The housing incorporates two opposing side lugs for carrying concrete rebar. The leveling bolt is screwed into a threaded opening in order to lift or "jack-up" the concrete slab into final position i.e., floating the floor. Together with Perimeter Isolation Board (PIB), poly sheeting, and perimeter sealant, FLM becomes a complete floor isolation system.

## Installation Sequence:



## Dimensions:



kineticsnoise.com  
 sales@kineticsnoise.com  
 1-800-959-1229